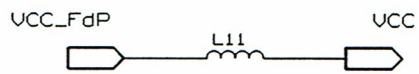


CONNECTEUR VIDEO

1	V1
2	V2
3	V3
4	V4
5	V5
6	GND\G
7	DIN
8	FR
9	CL1
10	CL2
11	DISPOFFN
12	D0_LCD
13	D1_LCD
14	D2_LCD
15	D3_LCD
16	VCC_FdP
17	GND\G

x2



ED	DATE		?	?	?	?
CHANGE NOTE	?				?	
APPRO. AUTHO.	J. C. SONNEFRAUD		?		?	
ORIGINATOR	L. CHEVALIER		?		?	
	? CPU SILLAGE TUR (PROTOTYPE) LOT A VERSION ECRAN SHARP		CONNECTIQUE			
?			3BN 63118 AAAB ECZZA			1/7

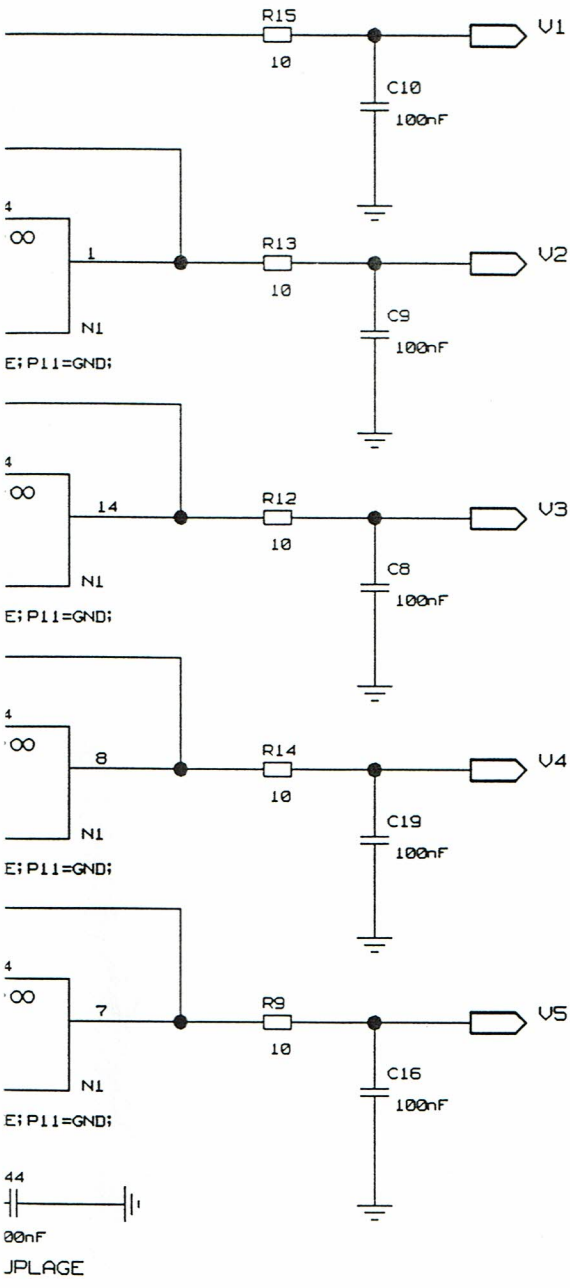
5	6	7	8

All rights reserved. Passing on and copying of this document, use and communication of its contents not permitted without written authorization.

CONNECTEUR FOND DE POSTE

1	R_MIC3
2	R_DSP
3	GND\G
4	TxA_2
5	TxA_1
6	GND\G
7	RESETN
8	POWER_FAIL
9	GND\G
10	RSTIN
11	CMDUCCN
12	OFFN
13	DETN_CARD
14	TUP
15	TPU
16	IO_C/TX
17	GND\G
18	VCC
19	GND\G
20	A12UC

x1



0125113

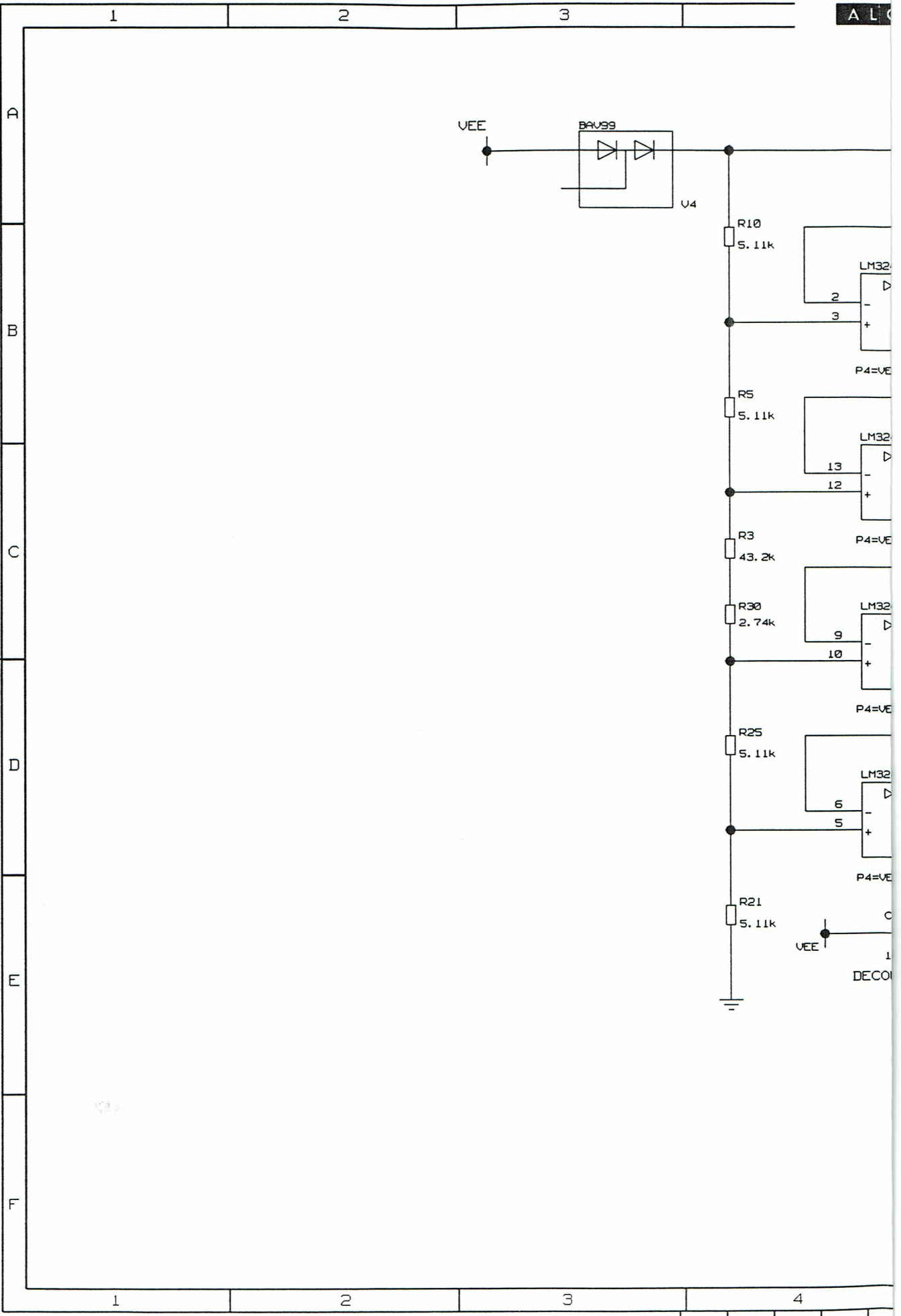
A
B
C
D
E

ED	DATE			?	?	?	?
CHANGE NOTE	?					?	
APPR. AUTHO.	J. C. SONNEFRAUD			?		?	
ORIGINATOR	L. CHEVALIER			?		?	
	? CPU SILLAGE TVR VERSION ECRAN SHARP				ALIM LCD		
	?			3BN 63118 AAAB ECZZA		2/7	

F

All rights reserved. Passing on and copying of this document, use and communication of its contents not permitted without written authorization.

IAF 00014 0008 (9007) A3



A L C

LM32

2 -

3 +

P4=VEE

LM32

13 -

12 +

P4=VEE

LM32

9 -

10 +

P4=VEE

LM32

6 -

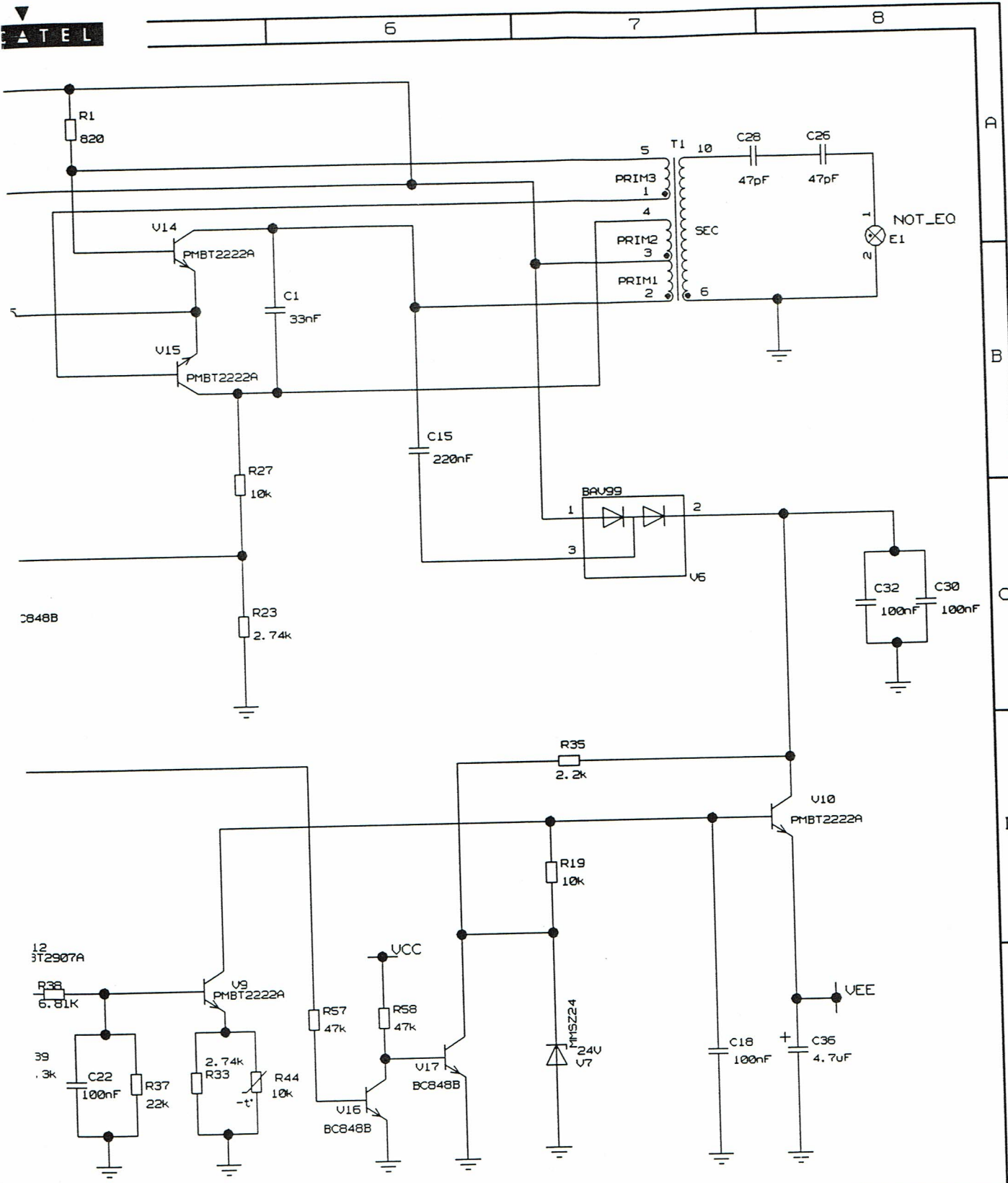
5 +

P4=VEE

C

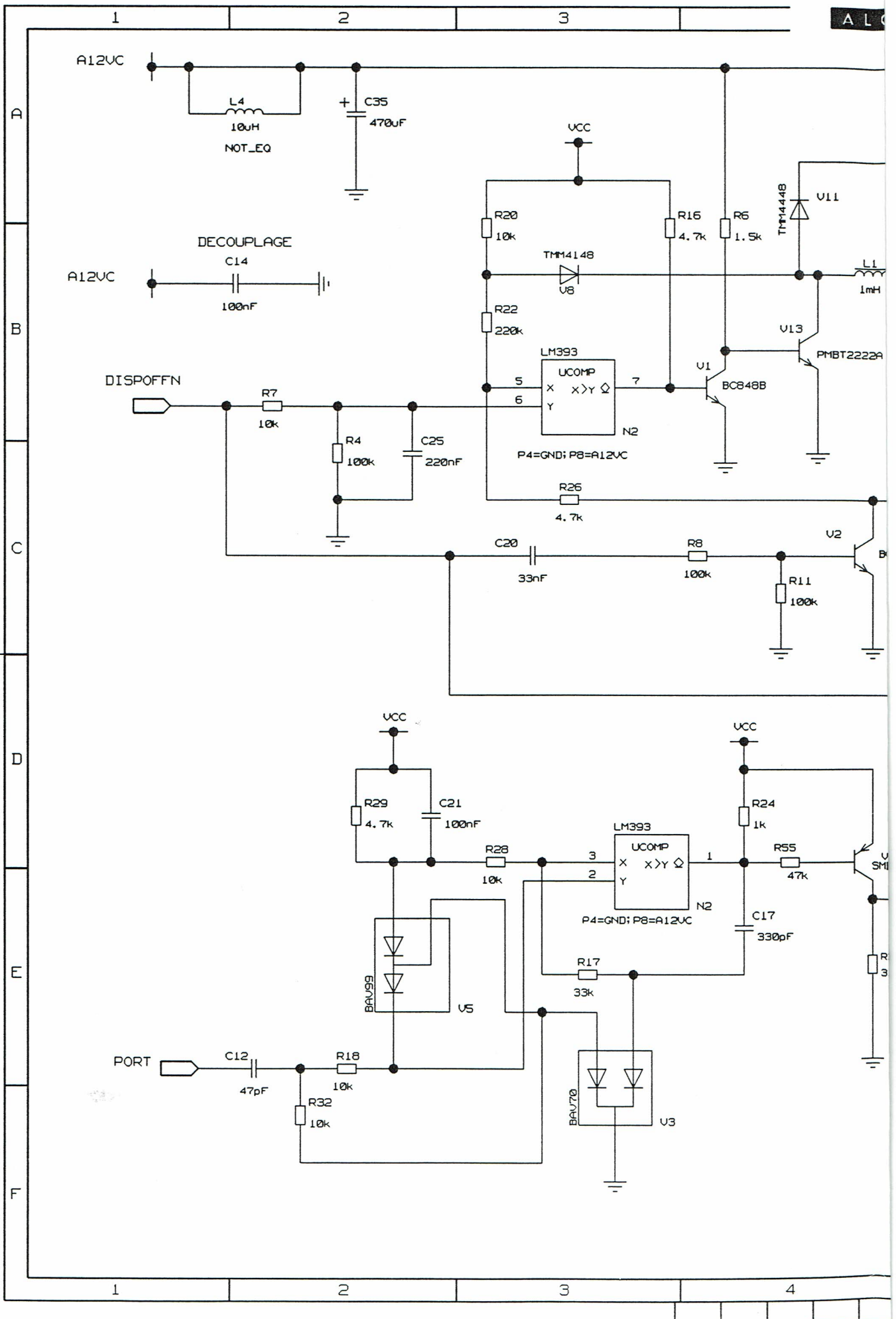
1

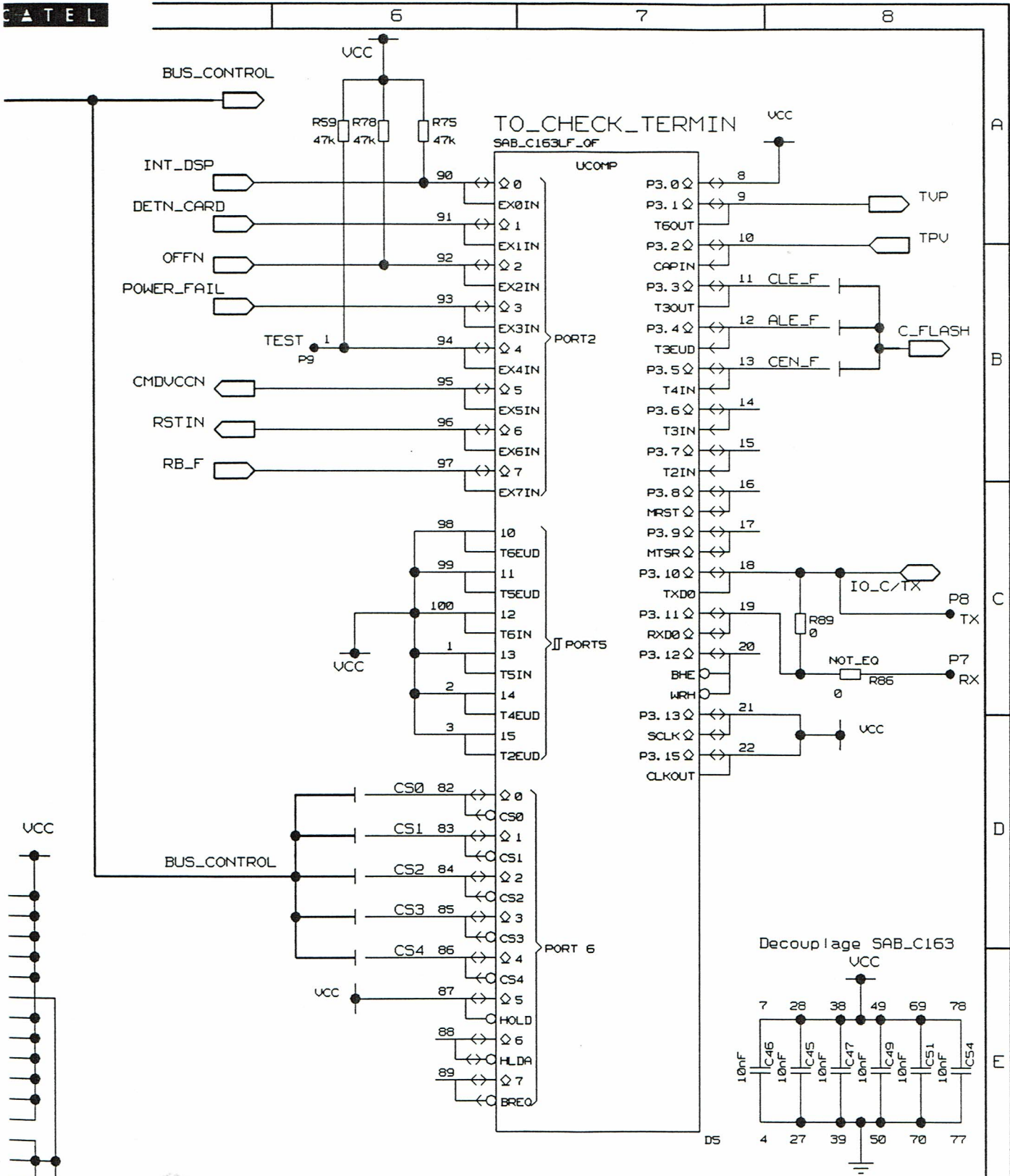
DECO



ED	DATE			?	?		?	?
CHANGE NOTE		?						?
APPRO. AUTHO.	J. C. SONNEFRAUD			?				?
ORIGINATOR	L. CHEVALIER			?				?
	? CPU SILLAGE TVR VERSION ECRAN SHARP				CONVERTISSEUR LCD			
?				3BN 63118 AAAB ECZZA			3/7	

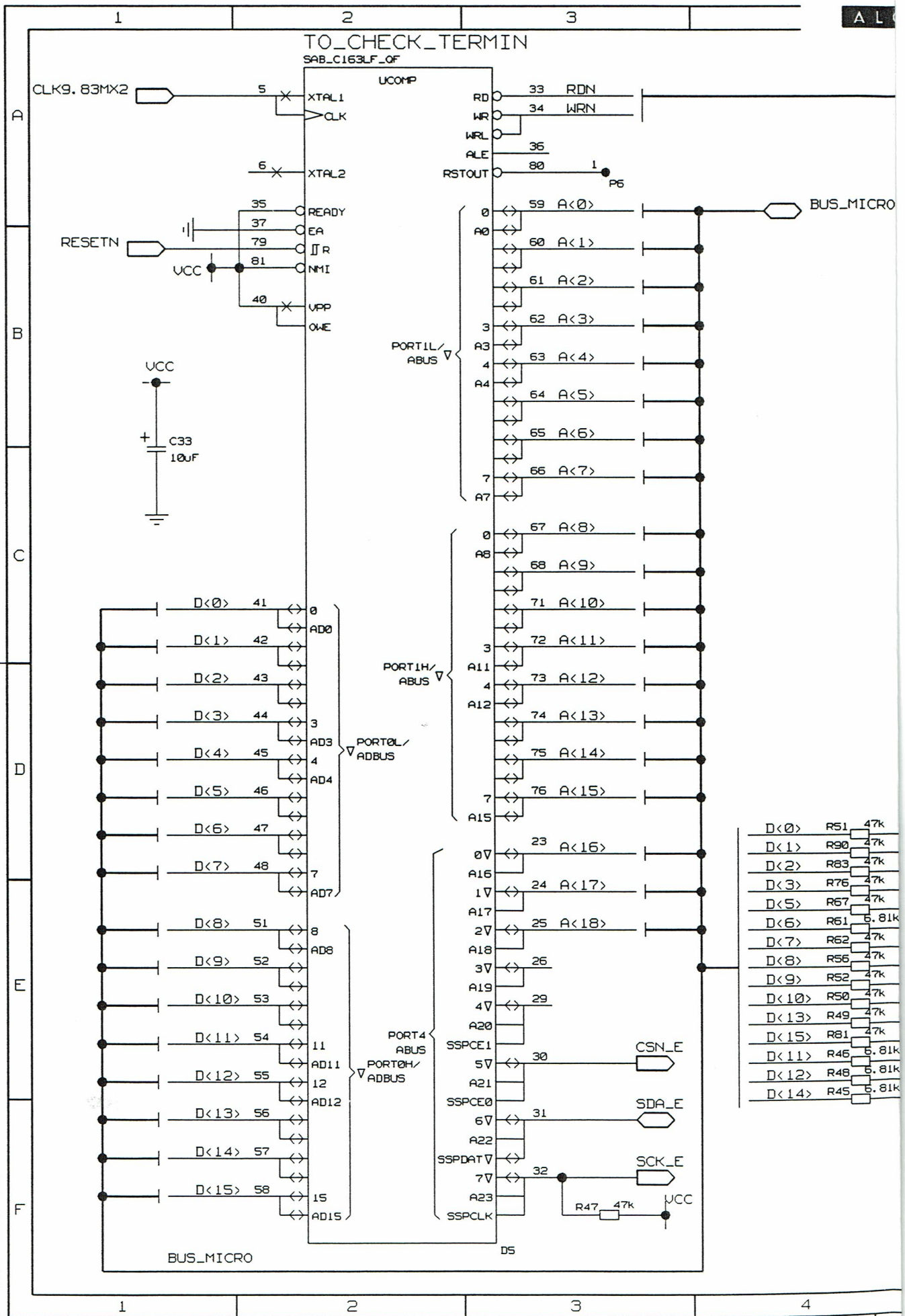
All rights reserved. Passing on and copying of this document, use and communication of its contents not permitted without written authorization.





ED	DATE			?	?		?	?
CHANGE NOTE	?							?
APPR. AUTHO.	J. C. SONNEFRAUD			?				?
ORIGINATOR	L. CHEVALIER			?				?
	?	CPU SILLAGE TVR				CPU SAB_C163		
	?				3BN 63118 AAAB ECZZA			4/7

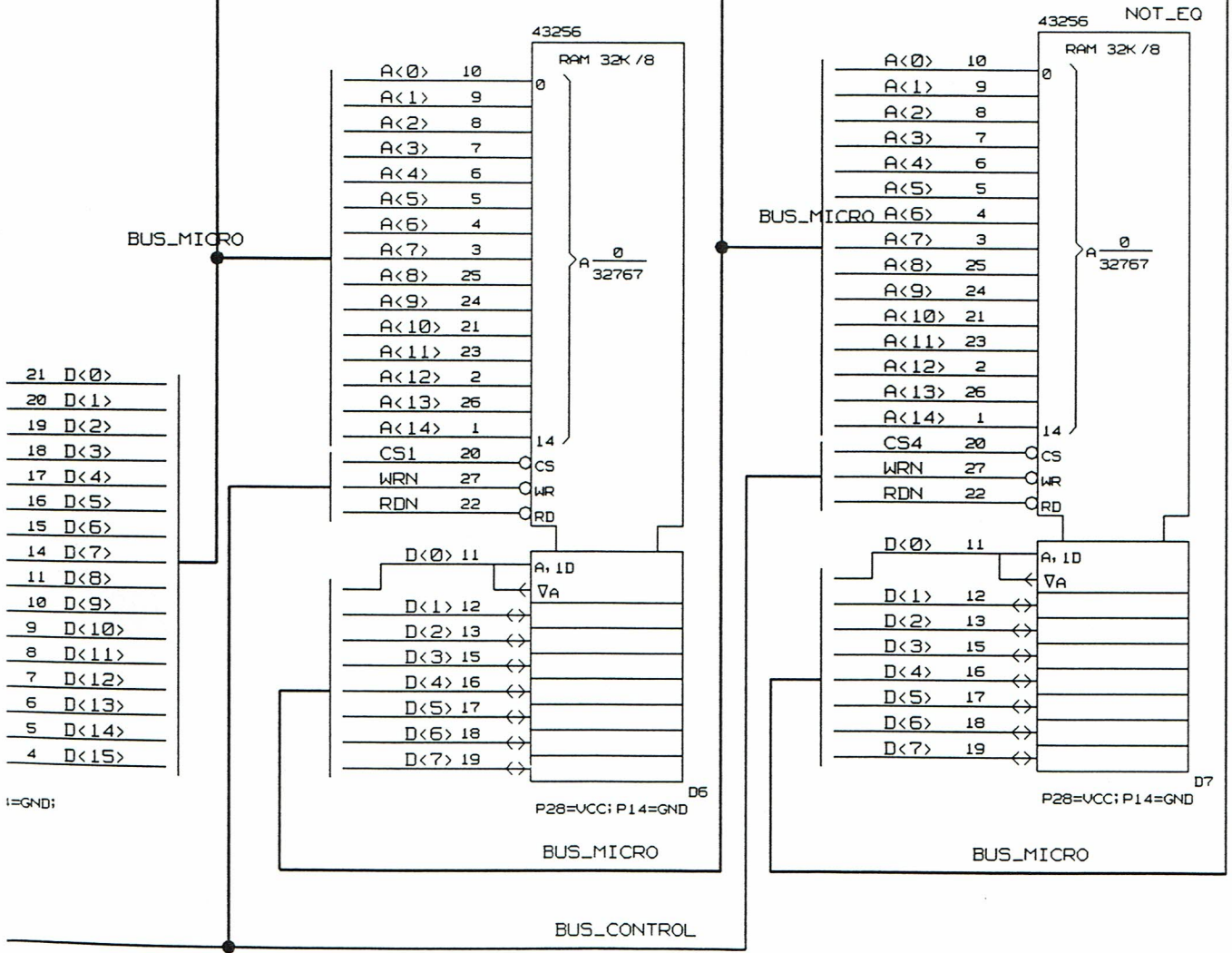
All rights reserved. Passing on and copying of this document, use and communication of its contents not permitted without written authorization.



BUS_MICRO

.LUSTER=1AB009860004

NON EQUIPE

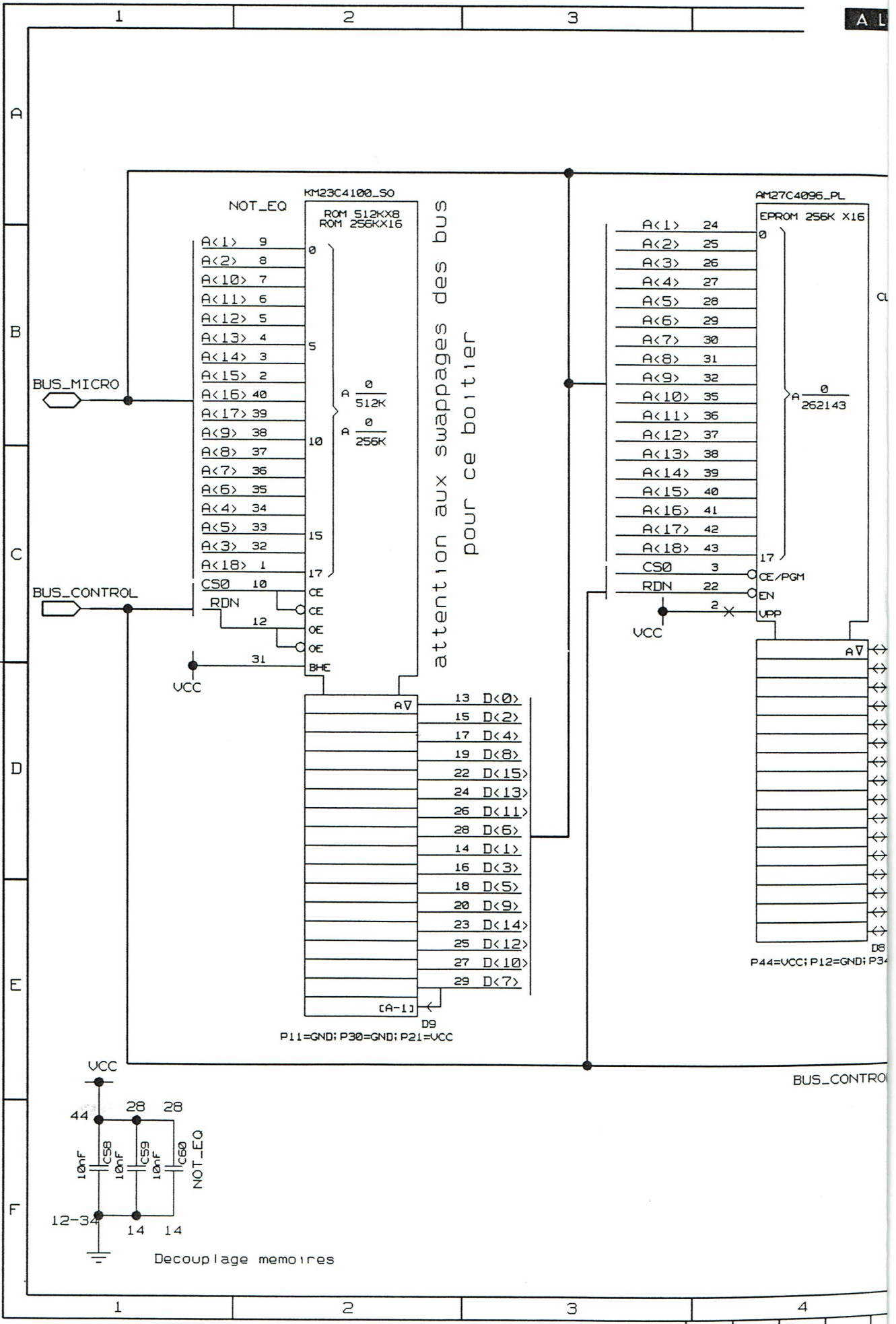


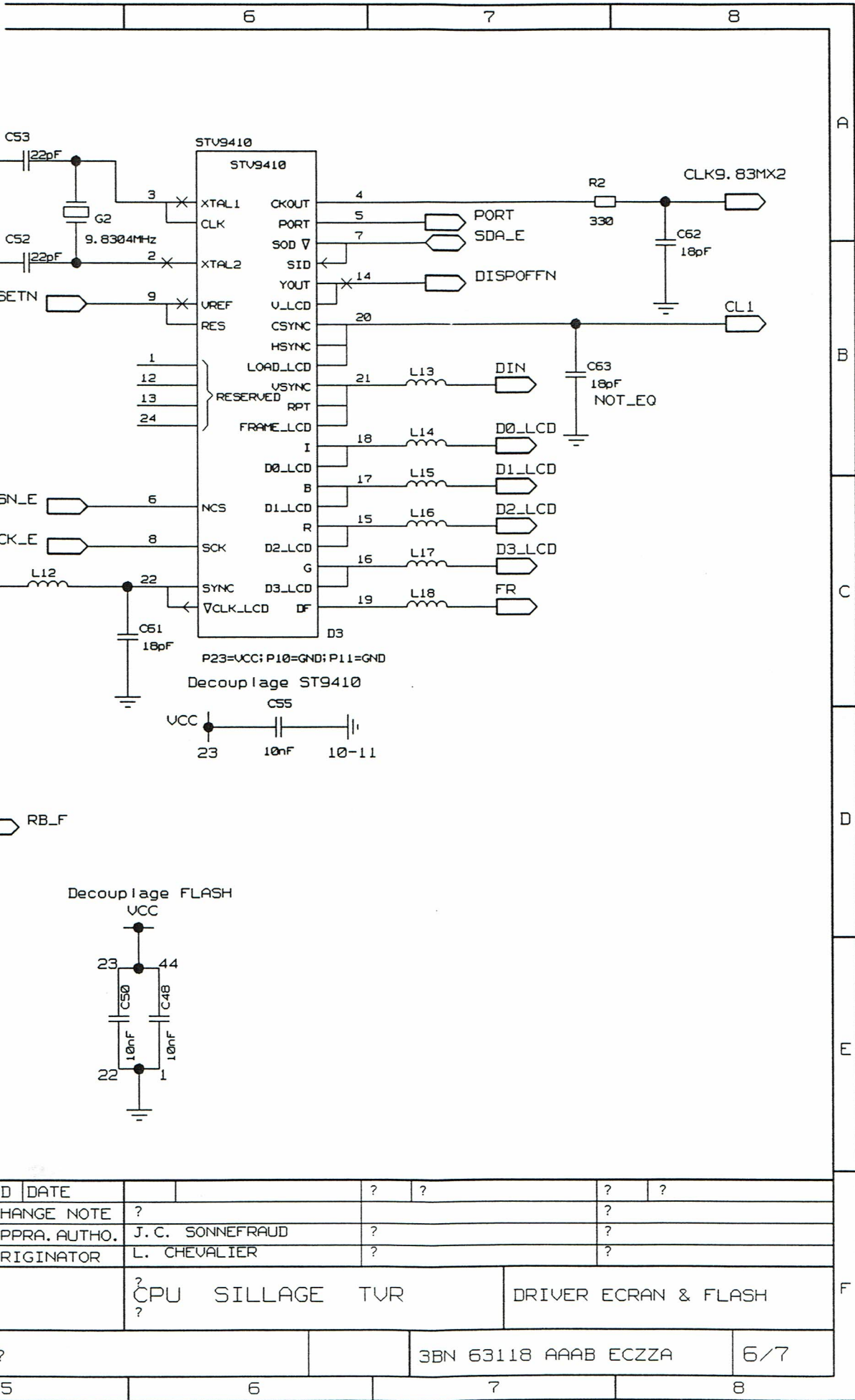
- 21 D<0>
- 20 D<1>
- 19 D<2>
- 18 D<3>
- 17 D<4>
- 16 D<5>
- 15 D<6>
- 14 D<7>
- 11 D<8>
- 10 D<9>
- 9 D<10>
- 8 D<11>
- 7 D<12>
- 6 D<13>
- 5 D<14>
- 4 D<15>

I=GND;

ED	DATE			?	?	?	?
CHANGE NOTE	?					?	
APPRO. AUTHO.	J. C. SONNEFRAUD			?		?	
ORIGINATOR	L. CHEVALIER			?		?	
	CPU SILLAGE TUR		MEMOIRES				
?				3BN 63118 AAAB ECZZA		5/7	

All rights reserved. Passing on and copying of this document, use and communication of its contents not permitted without written authorization.





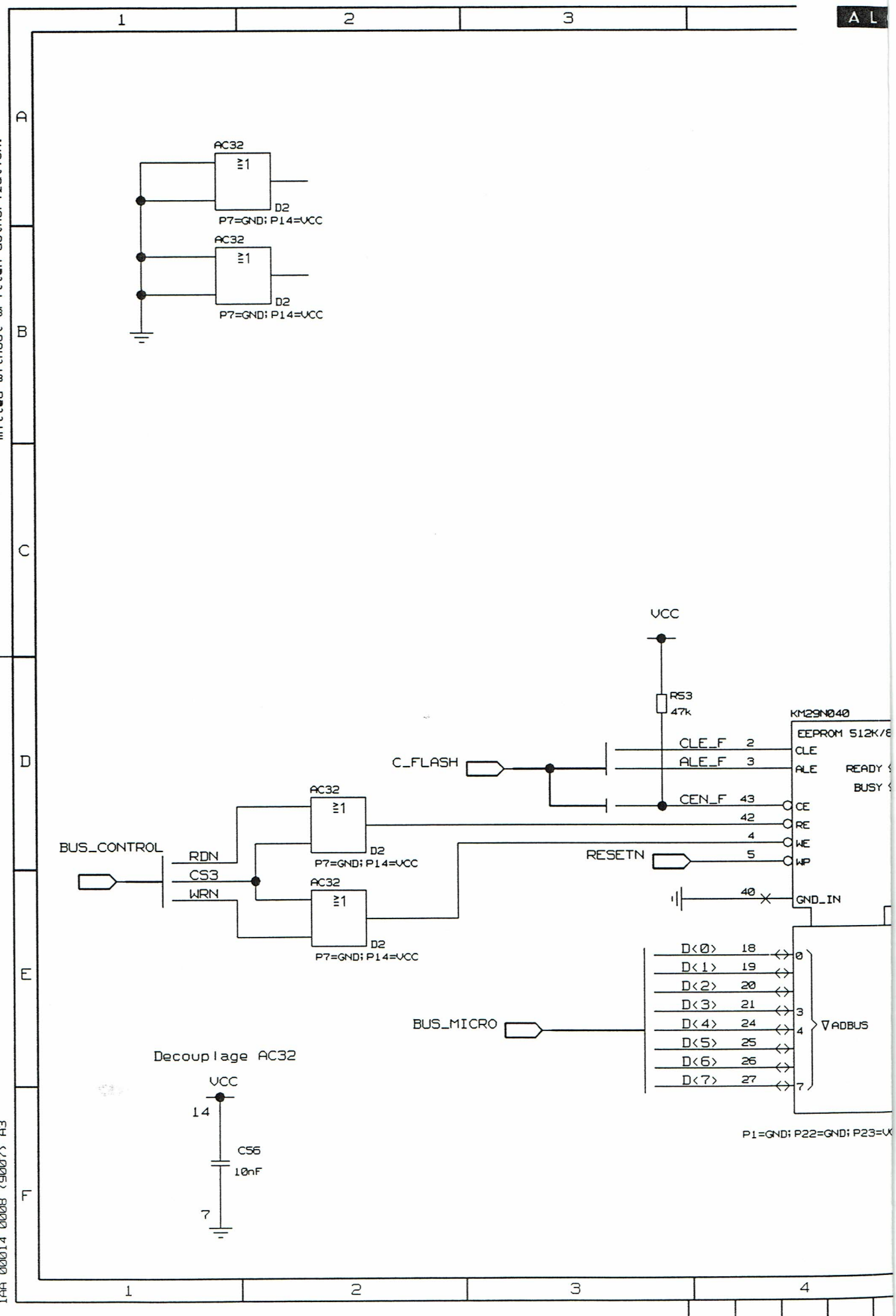
P23=UCC; P10=GND; P11=GND
 Decouplage ST9410

Decouplage FLASH

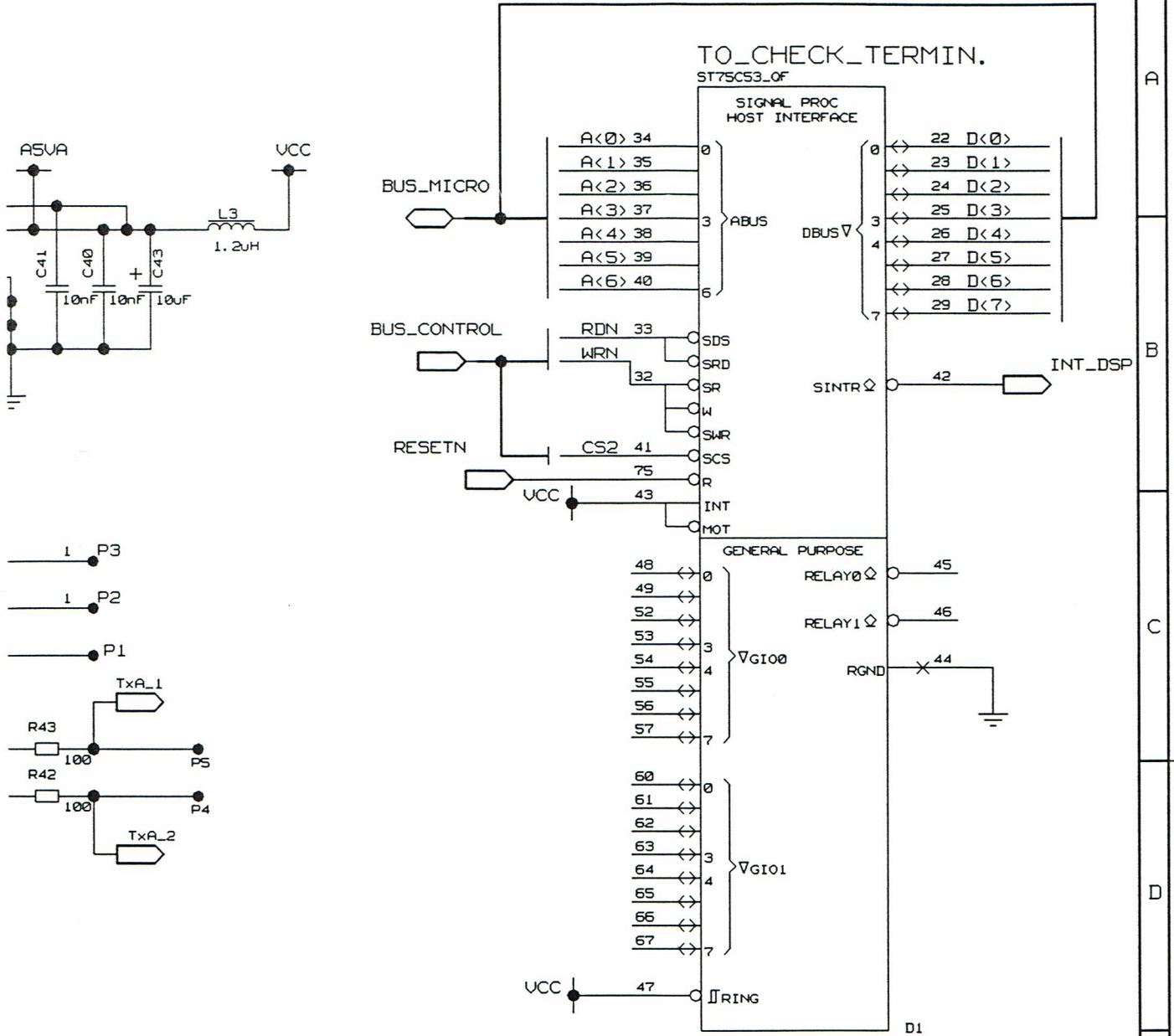
D4
 C: P44=UCC

ED	DATE			?	?	?	?
CHANGE	NOTE	?				?	
APPRO.	AUTHO.	J. C. SONNEFRAUD		?		?	
ORIGINATOR		L. CHEVALIER		?		?	
		?	CPU SILLAGE TUR			DRIVER ECRAN & FLASH	
		?			3BN 63118 AAAB ECZZA		6/7

All rights reserved. Passing on and copying of this document, use and communication of its contents not permitted without written authorization.

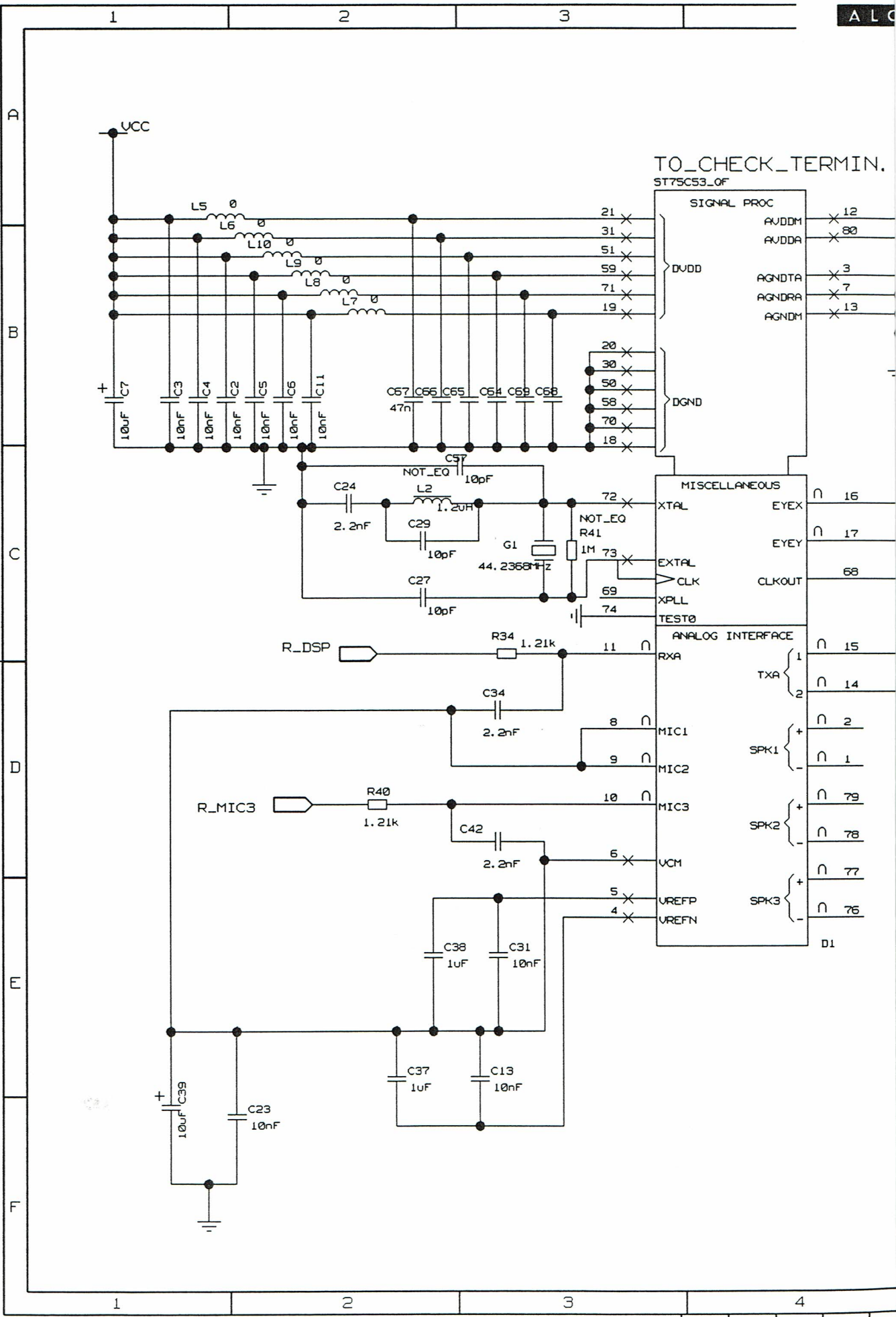


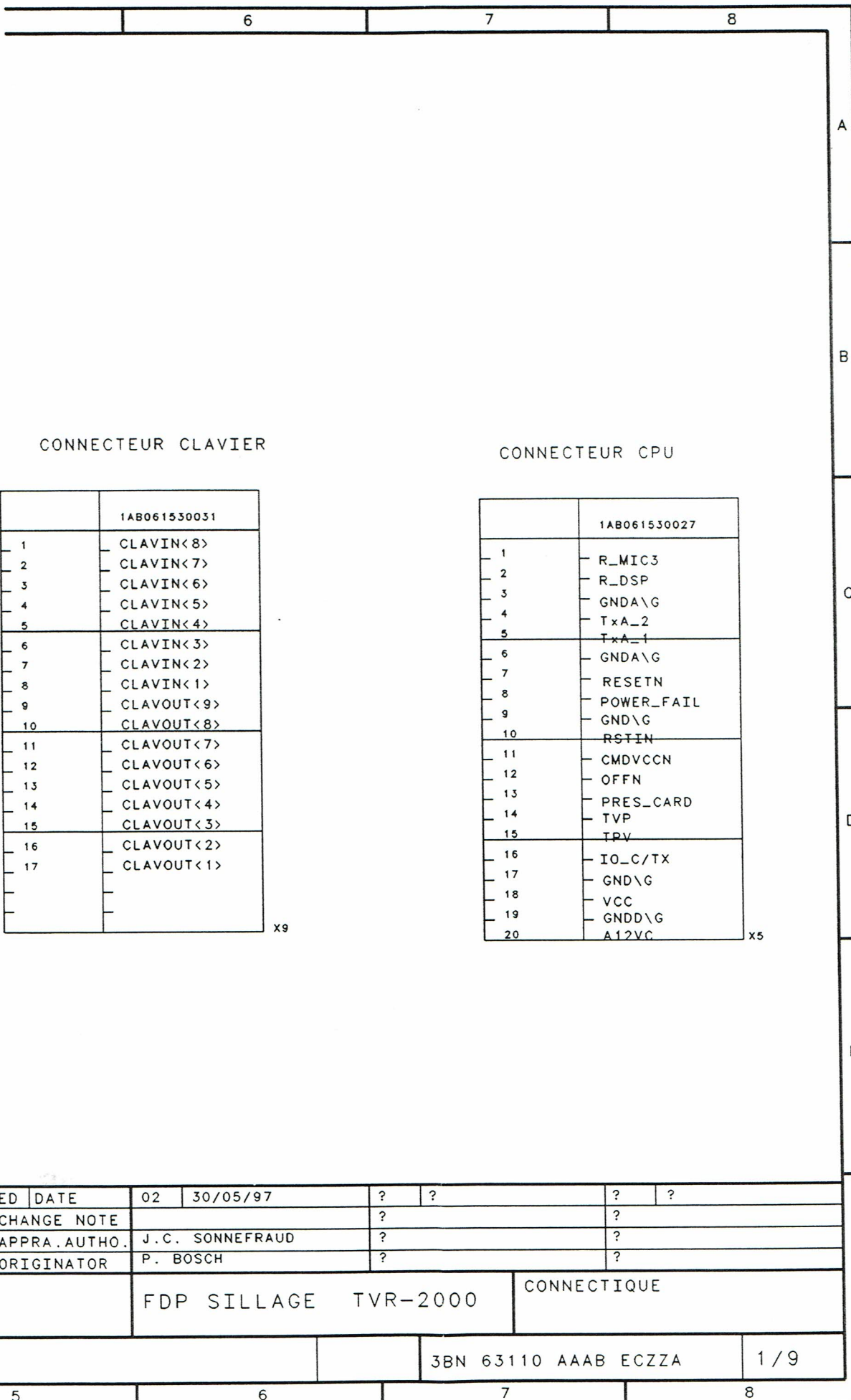
IAF 00014 0008 (9007) A3



ED	DATE			?	?	?	?
CHANGE NOTE	?					?	
APPR. AUTHO.	J. C. SONNEFRAUD			?		?	
ORIGINATOR	L. CHEVALIER			?		?	
	?	CPU SILLAGE TUR				DSP MODEM REPONDEUR	
	?				3BN 63118 AARB ECZZA		7/7

All rights reserved. Passing on and copying of this document, use and communication of its contents not permitted without written authorization.





CONNECTEUR CLAVIER

	1AB061530031
1	CLAVIN<8>
2	CLAVIN<7>
3	CLAVIN<6>
4	CLAVIN<5>
5	CLAVIN<4>
6	CLAVIN<3>
7	CLAVIN<2>
8	CLAVIN<1>
9	CLAVOUT<9>
10	CLAVOUT<8>
11	CLAVOUT<7>
12	CLAVOUT<6>
13	CLAVOUT<5>
14	CLAVOUT<4>
15	CLAVOUT<3>
16	CLAVOUT<2>
17	CLAVOUT<1>

x9

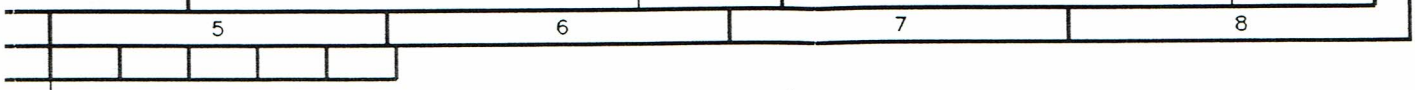
CONNECTEUR CPU

	1AB061530027
1	R_MIC3
2	R_DSP
3	GND\G
4	TxA_2
5	TxA_1
6	GND\G
7	RESETN
8	POWER_FAIL
9	GND\G
10	RSTIN
11	CMDVCCN
12	OFFN
13	PRES_CARD
14	TVP
15	TPV
16	IO_C/TX
17	GND\G
18	VCC
19	GNDD\G
20	A12VC

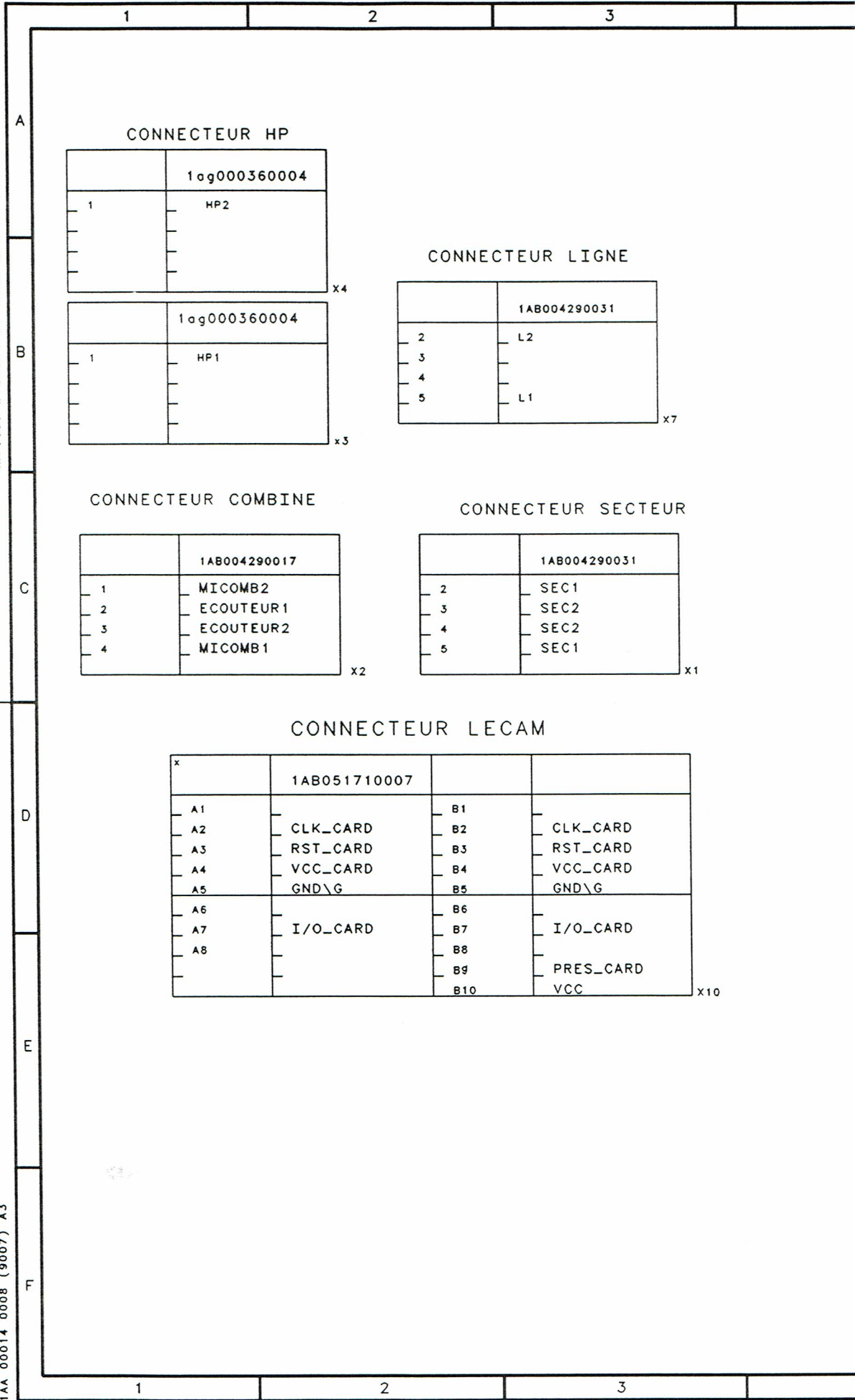
x5

ED	DATE	02	30/05/97	?	?	?	?
CHANGE NOTE				?		?	
APPRO.AUTHO.	J.C. SONNEFRAUD			?		?	
ORIGINATOR	P. BOSCH			?		?	
	FDP SILLAGE TVR-2000	CONNECTIQUE					
				3BN 63110 AAAB ECZZA			1/9

DRAWING
TVR0603
TVR0603



All rights reserved. Passing on and copying of this document, use and communication of its contents not permitted without written authorization.



CONNECTEUR HP

	1ag000360004
1	HP2

x4

CONNECTEUR LIGNE

	1AB004290031
2	L2
3	
4	
5	L1

x7

1ag000360004

	1ag000360004
1	HP1

x3

CONNECTEUR COMBINE

	1AB004290017
1	MICOMB2
2	ECOUTEUR1
3	ECOUTEUR2
4	MICOMB1

x2

CONNECTEUR SECTEUR

	1AB004290031
2	SEC1
3	SEC2
4	SEC2
5	SEC1

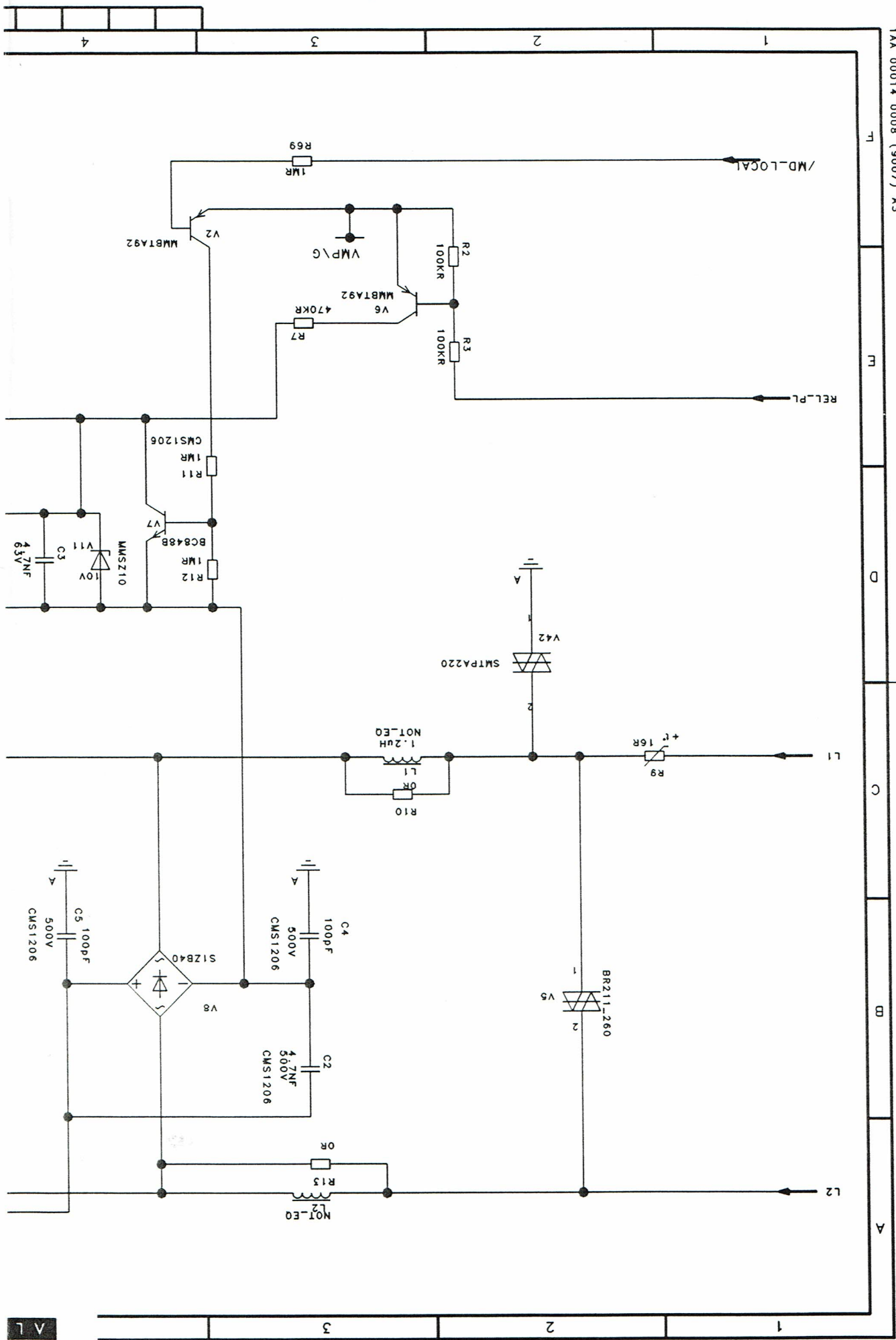
x1

CONNECTEUR LECAM

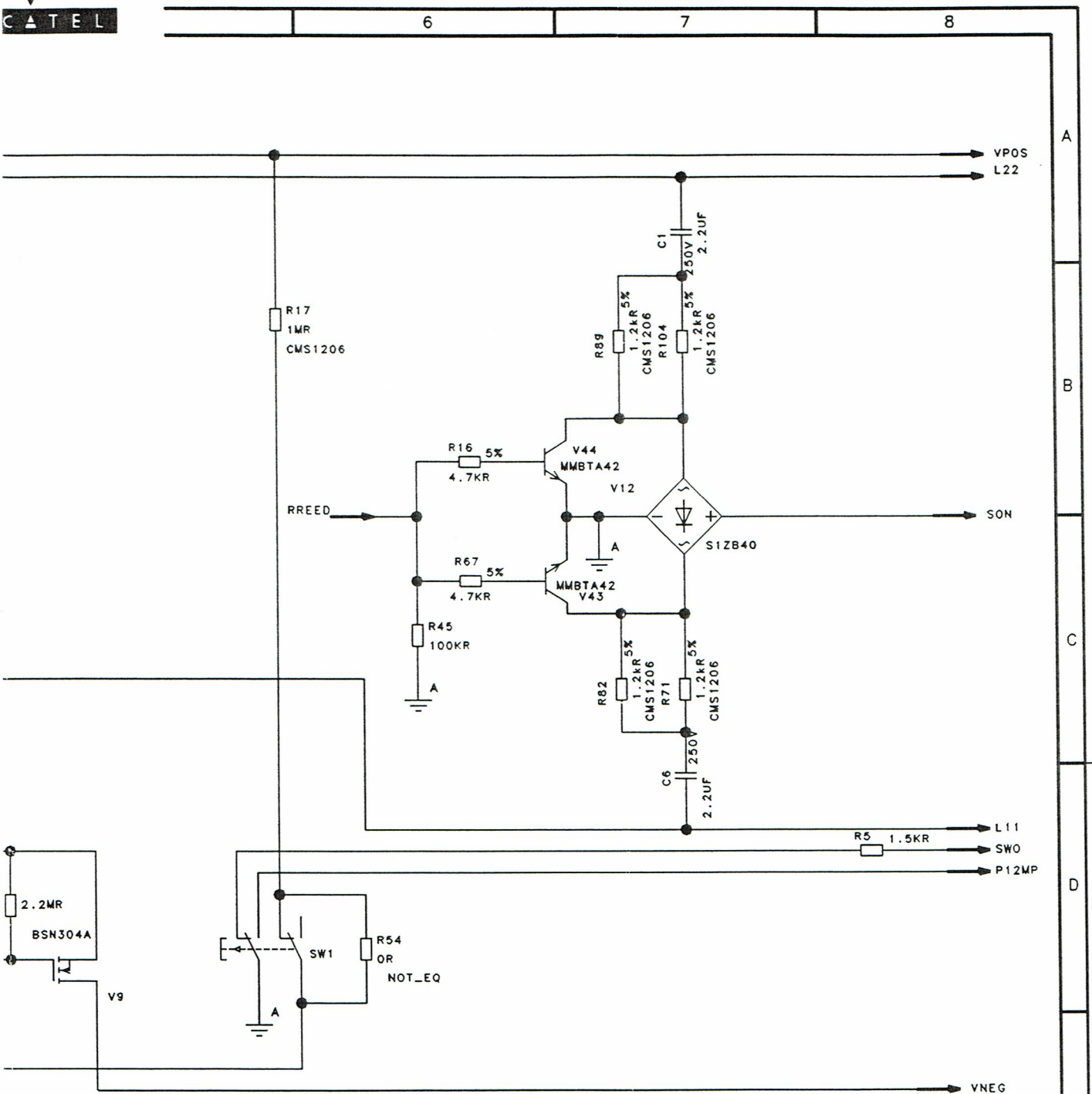
x	1AB051710007		
A1		B1	
A2	CLK_CARD	B2	CLK_CARD
A3	RST_CARD	B3	RST_CARD
A4	VCC_CARD	B4	VCC_CARD
A5	GND\G	B5	GND\G
A6		B6	
A7	I/O_CARD	B7	I/O_CARD
A8		B8	
		B9	PRES_CARD
		B10	VCC

x10

1AA 00014 0008 (9007) A3

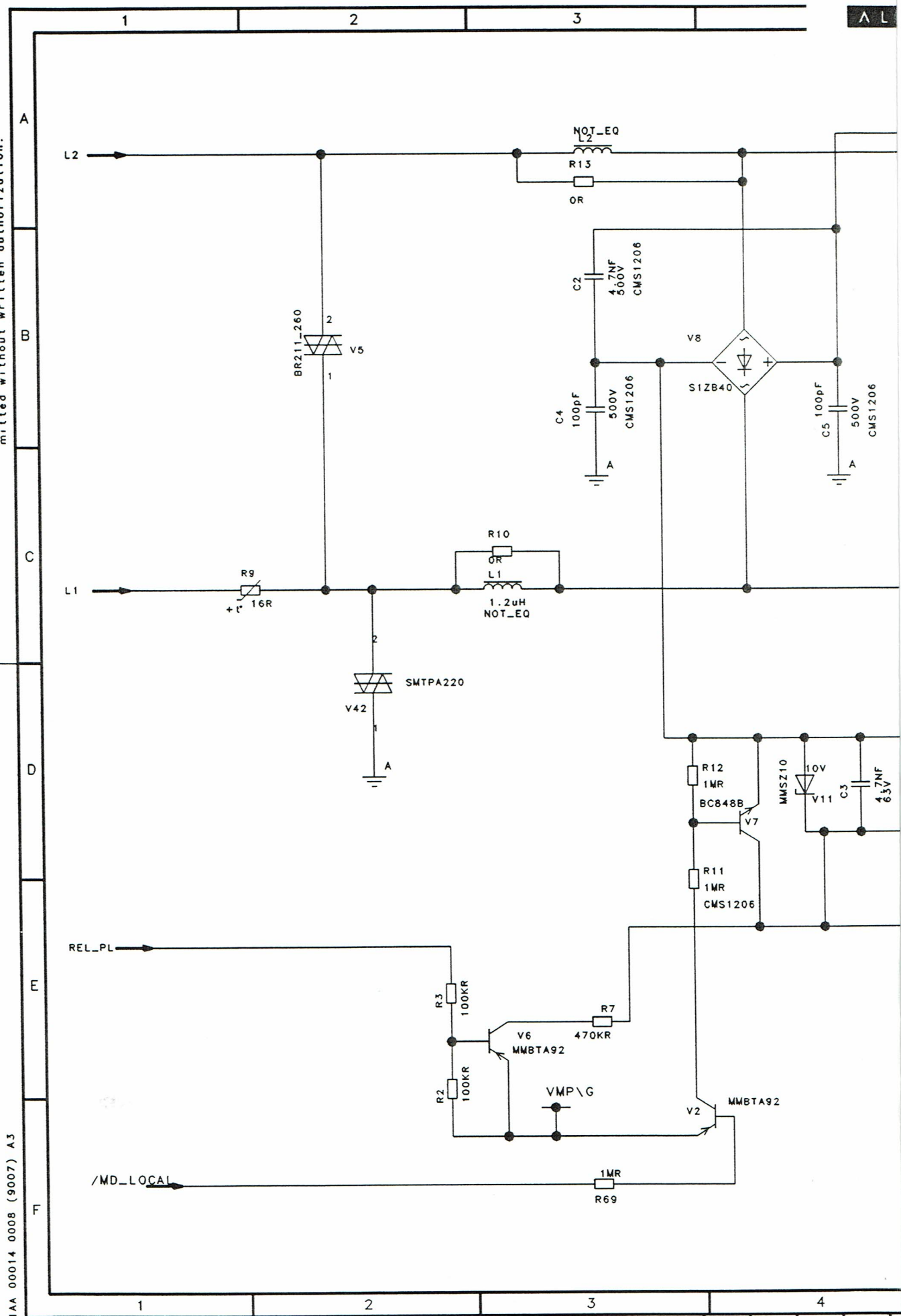


All rights reserved. Passing on and copying of this document, use and communication of its contents not permitted without written authorization.

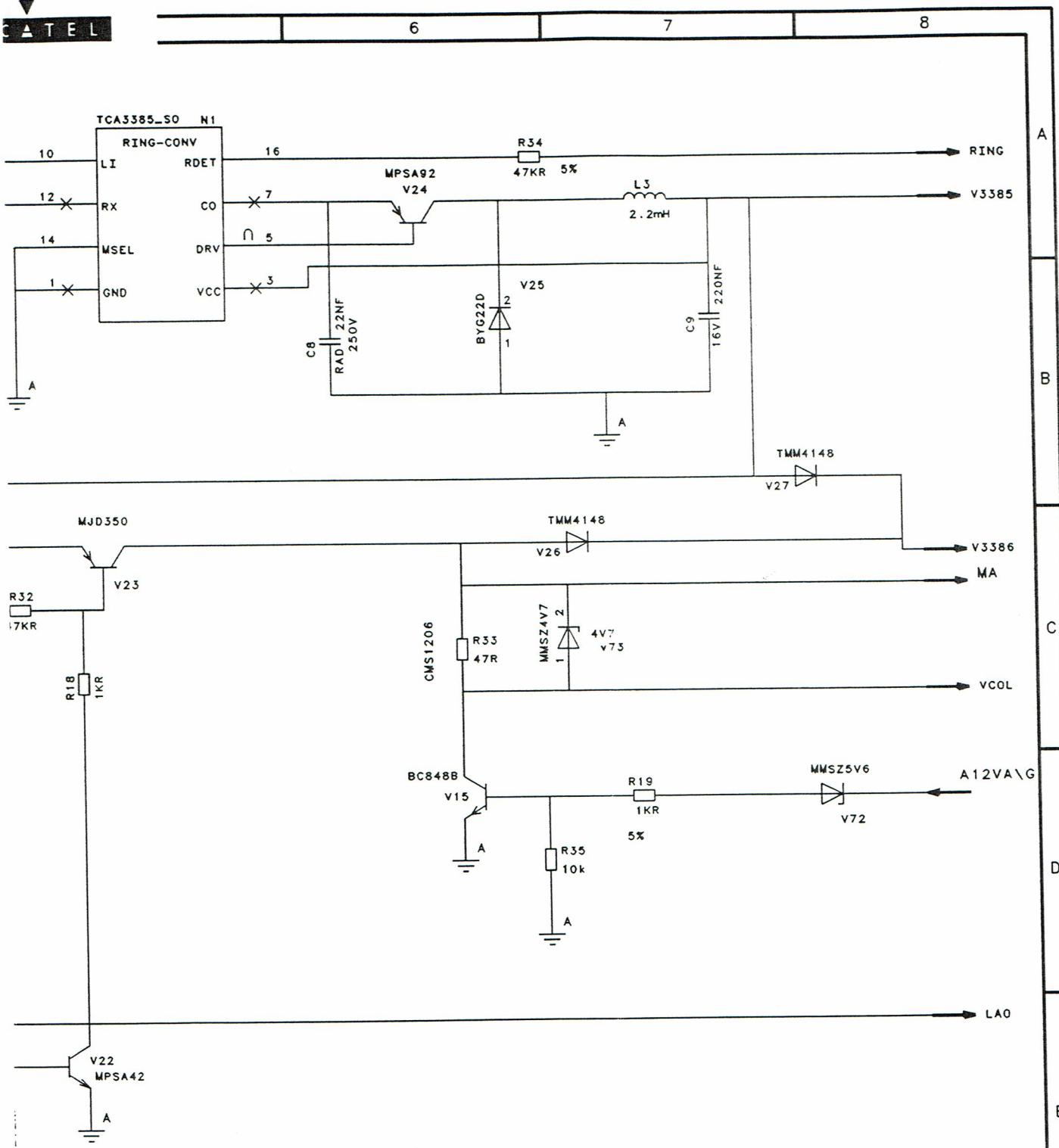


ED	DATE	02	30/05/97	?	?	?	?
CHANGE NOTE				?		?	
APPRO. AUTHO.		J.C. SONNEFRAUD		?		?	
ORIGINATOR		P. BOSCH		?		?	
FDP SILLAGE TVR-2000				TETE DE LIGNE			
				3BN 63110 AAAB ECZZA		2/9	

All rights reserved. Passing on and copying of this document, use and communication of its contents not permitted without written authorization.

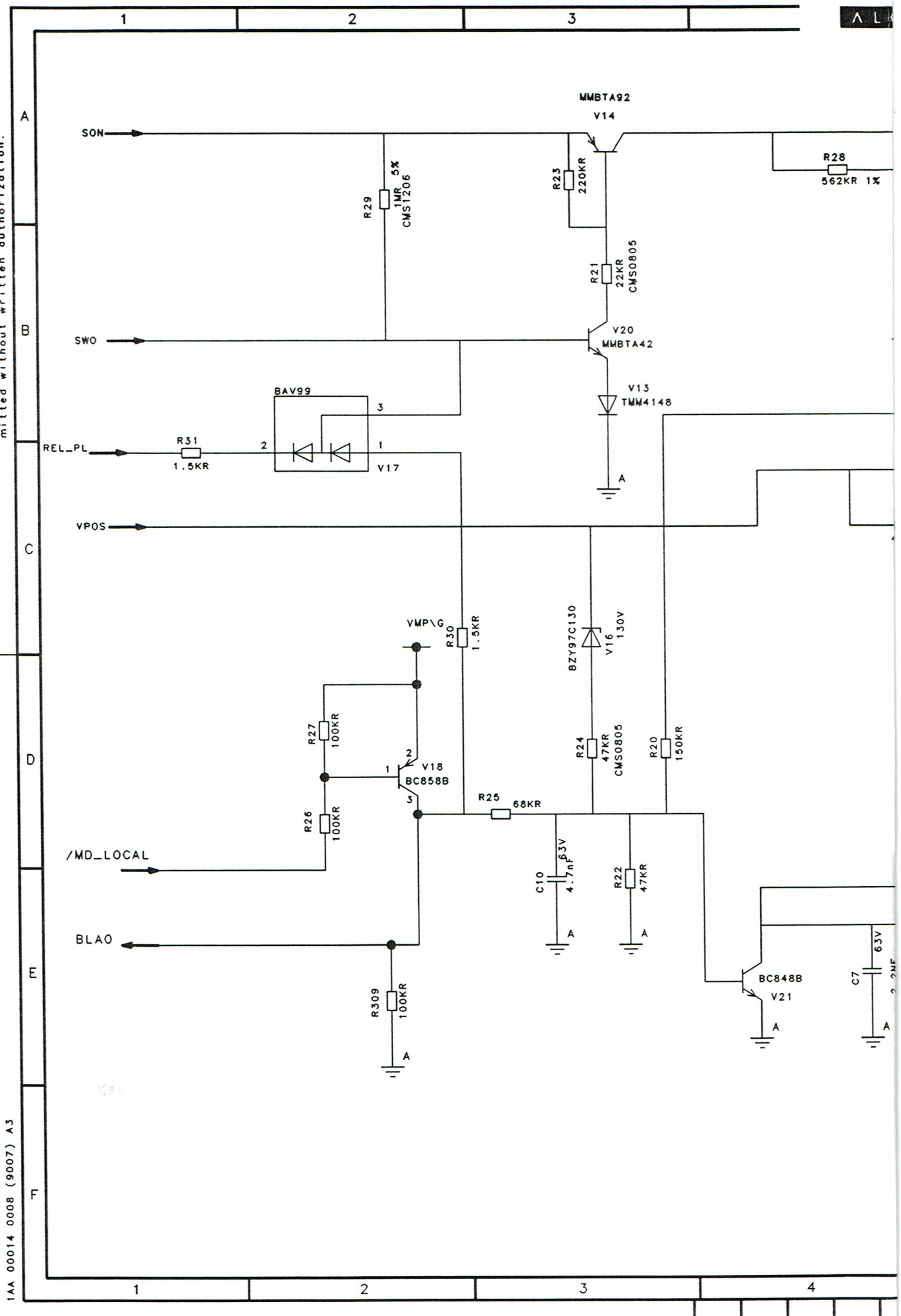


1AA 00014 0008 (9007) A.3

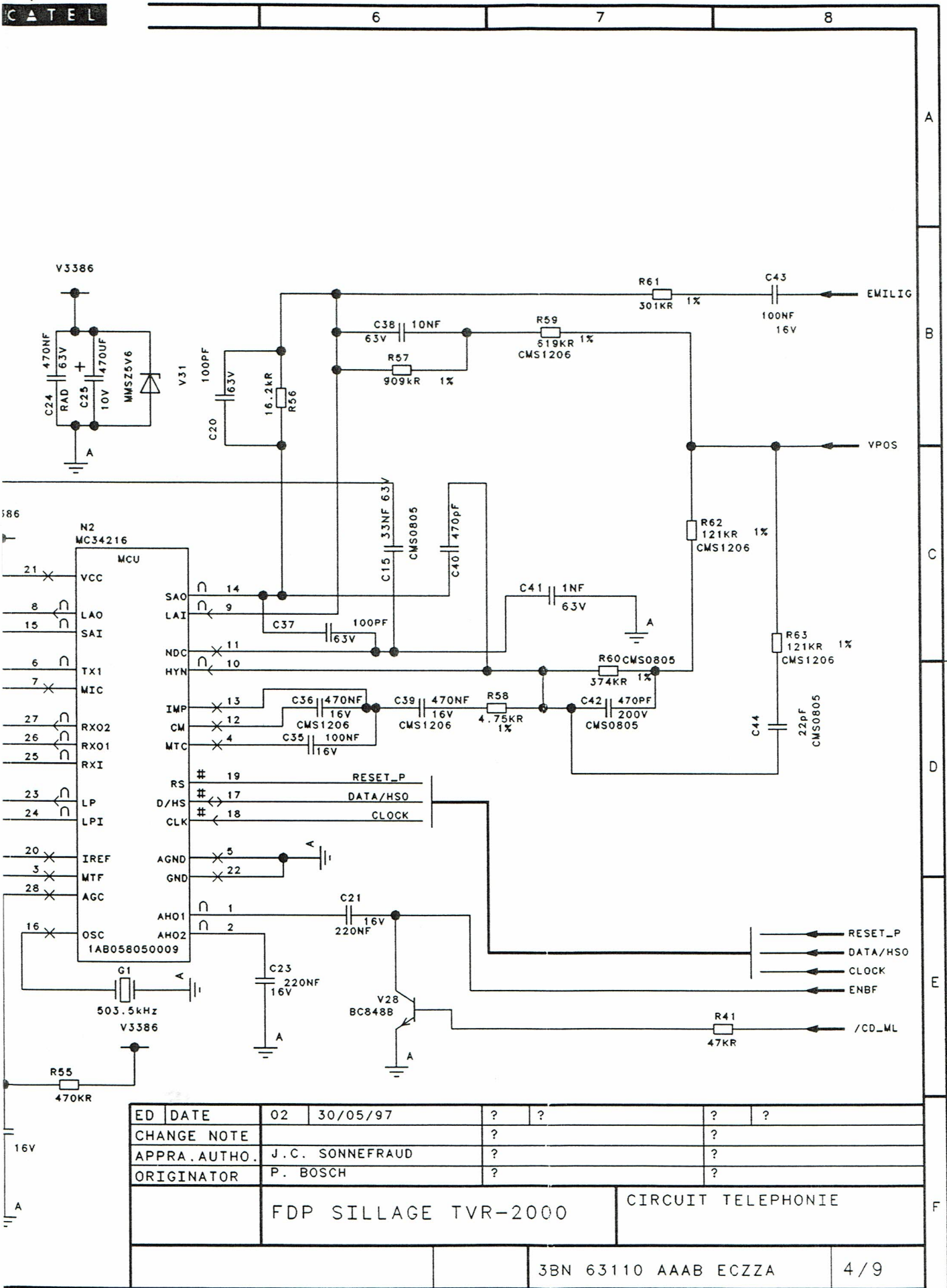


ED	DATE	02	30/05/97	?	?	?	?
CHANGE NOTE				?		?	
APPRO. AUTHO.		J. C. SONNEFRAUD		?		?	
ORIGINATOR		P. BOSCH		?		?	
FDP SILLAGE TVR-2000				ALIMENTATION PAR LIGNE			
				3BN 63110 AAAB ECZZA		3/9	

All rights reserved. Passing on and copying of this document, use and communication of its contents not permitted without written authorization.



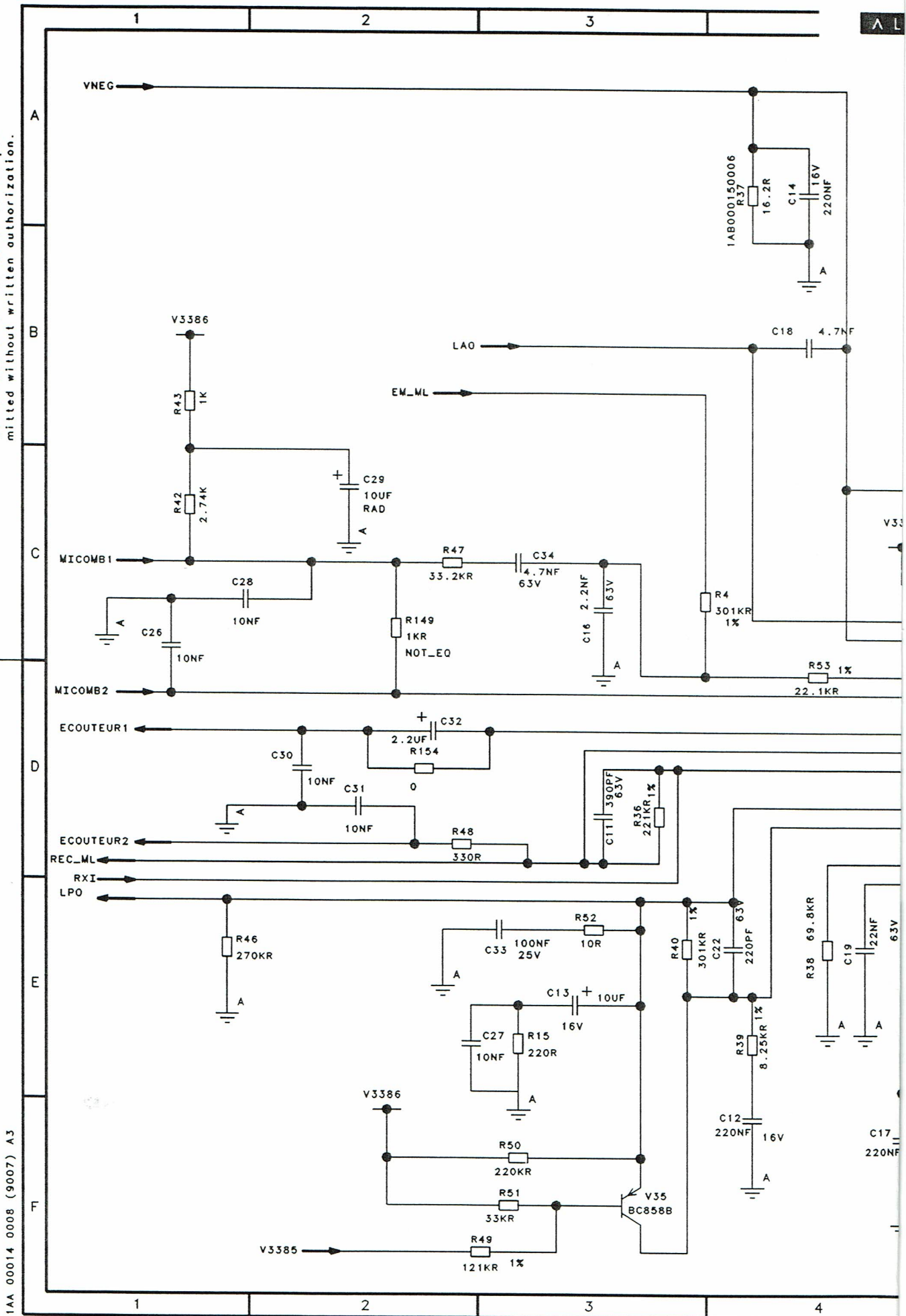
1AA 00014 0008 (9007) A3



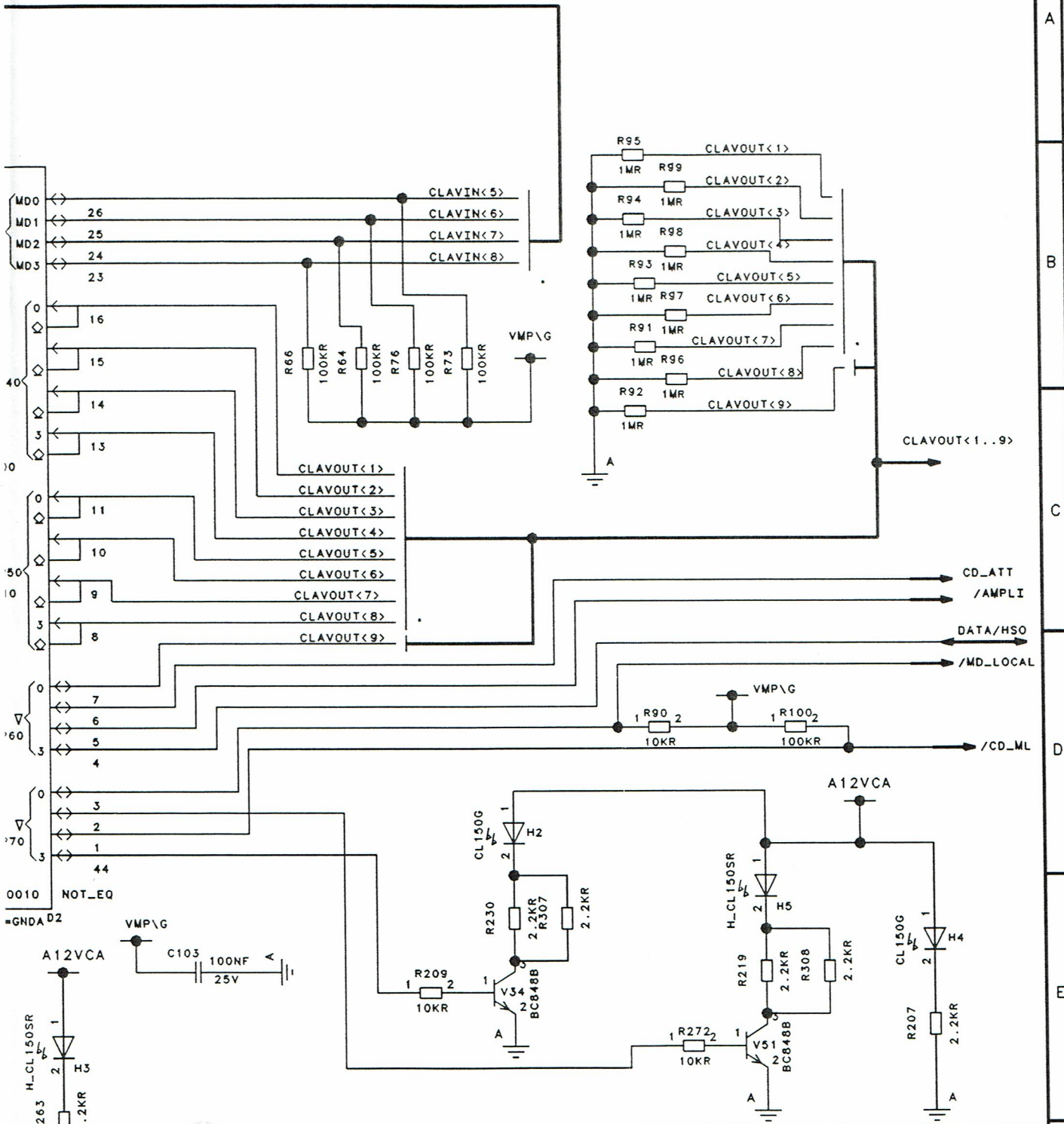
ED DATE	02	30/05/97	?	?	?	?
CHANGE NOTE						
APPRO. AUTHO.		J. C. SONNEFRAUD				
ORIGINATOR		P. BOSCH				
FDP SILLAGE TVR-2000				CIRCUIT TELEPHONIE		

3BN 63110 AAAB ECZZA 4/9

All rights reserved. Passing on and copying of this document, use and communication of its contents not permitted without written authorization.



1AA 00014 0008 (9007) A3

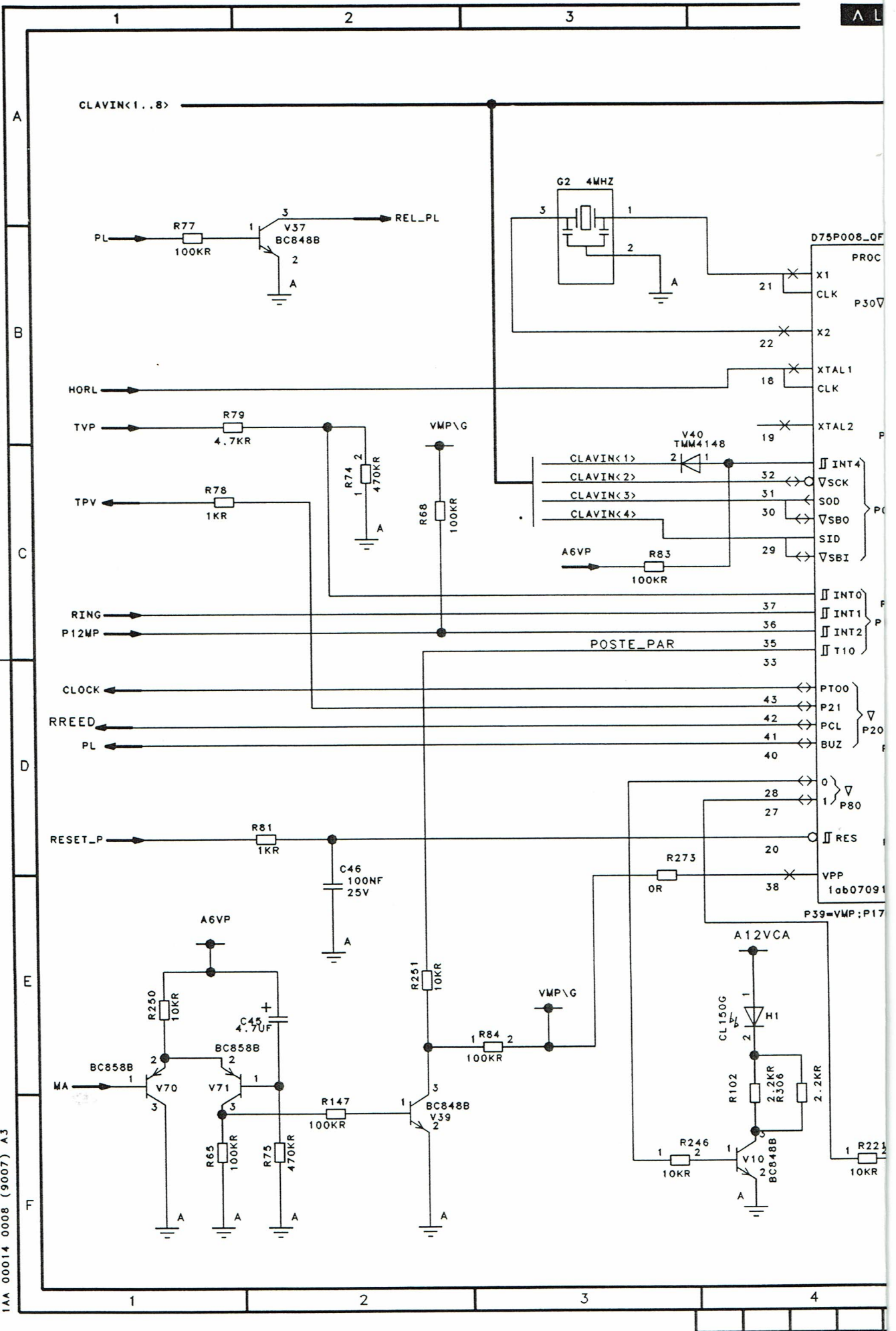


ED	DATE	02	30/05/97	?	?	?	?
CHANGE NOTE							
APPRO. AUTHO.	J. C. SONNEFRAUD						
ORIGINATOR	P. BOSCH						

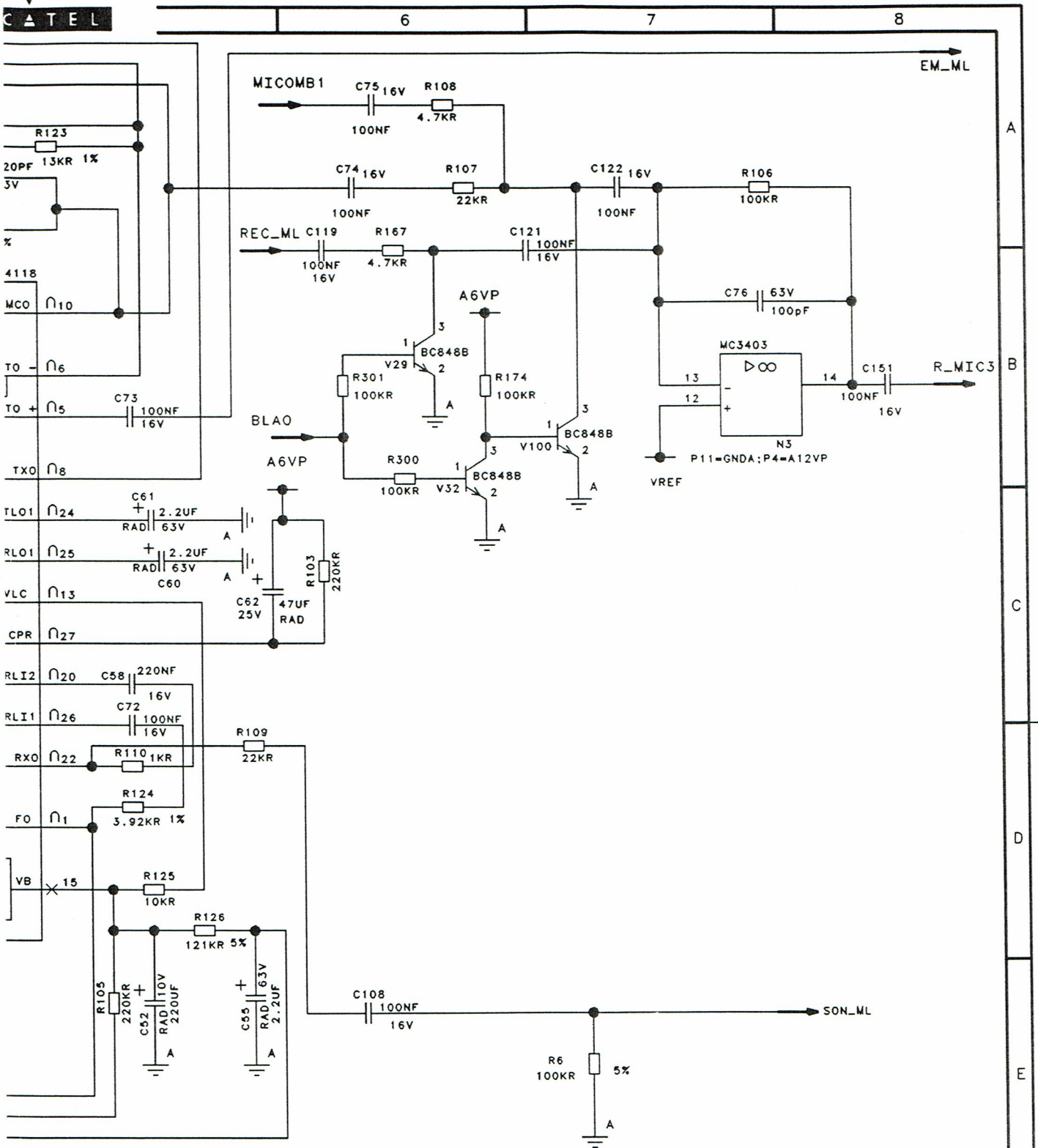
FDP SILLAGE TVR-2000 MICRO POSTE

3BN 63110 AAAB ECZZA 5/9

All rights reserved. Passing on and copying of this document, use and communication of its contents not permitted without written authorization.

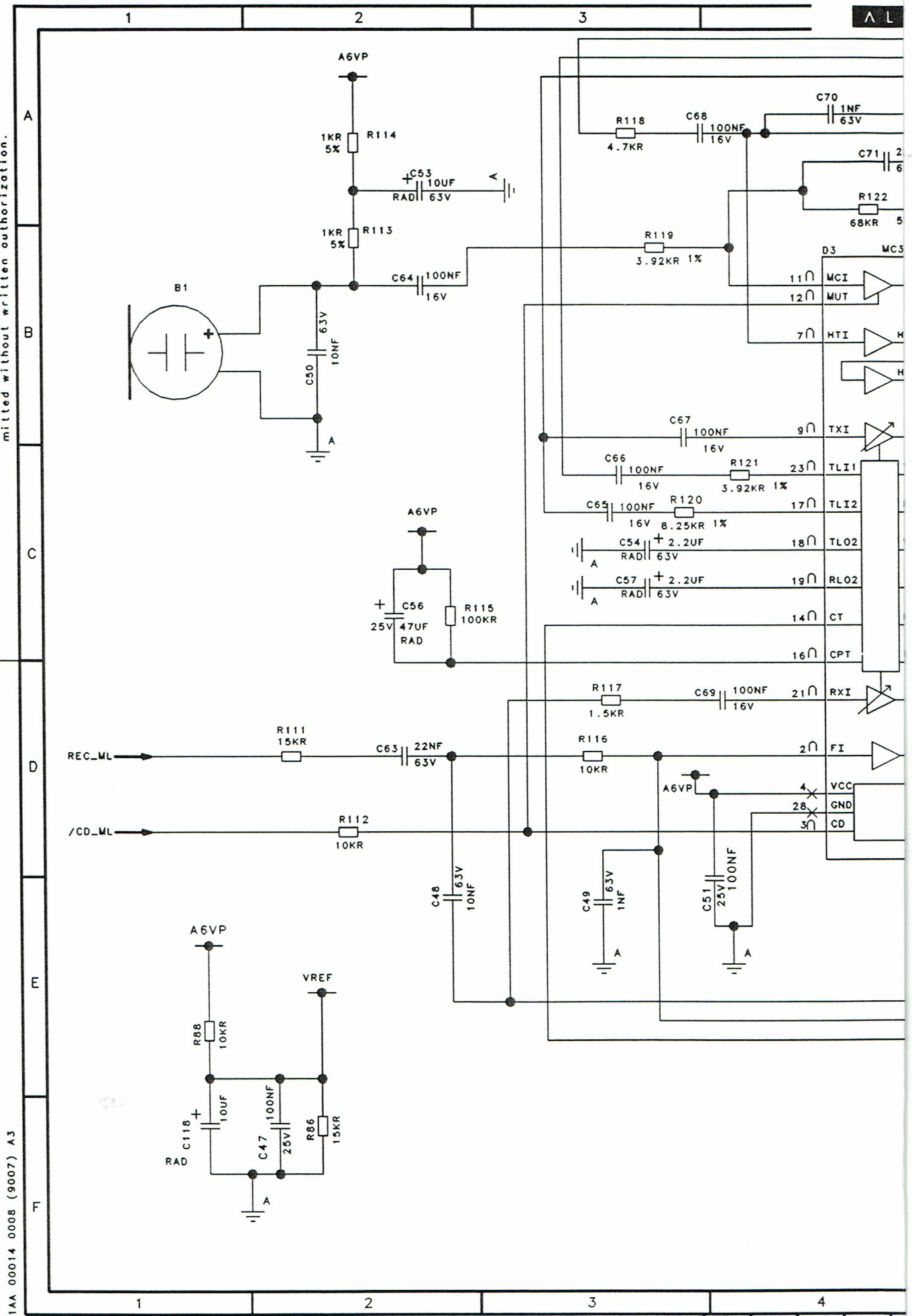


1AA 00014 0008 (9007) A3

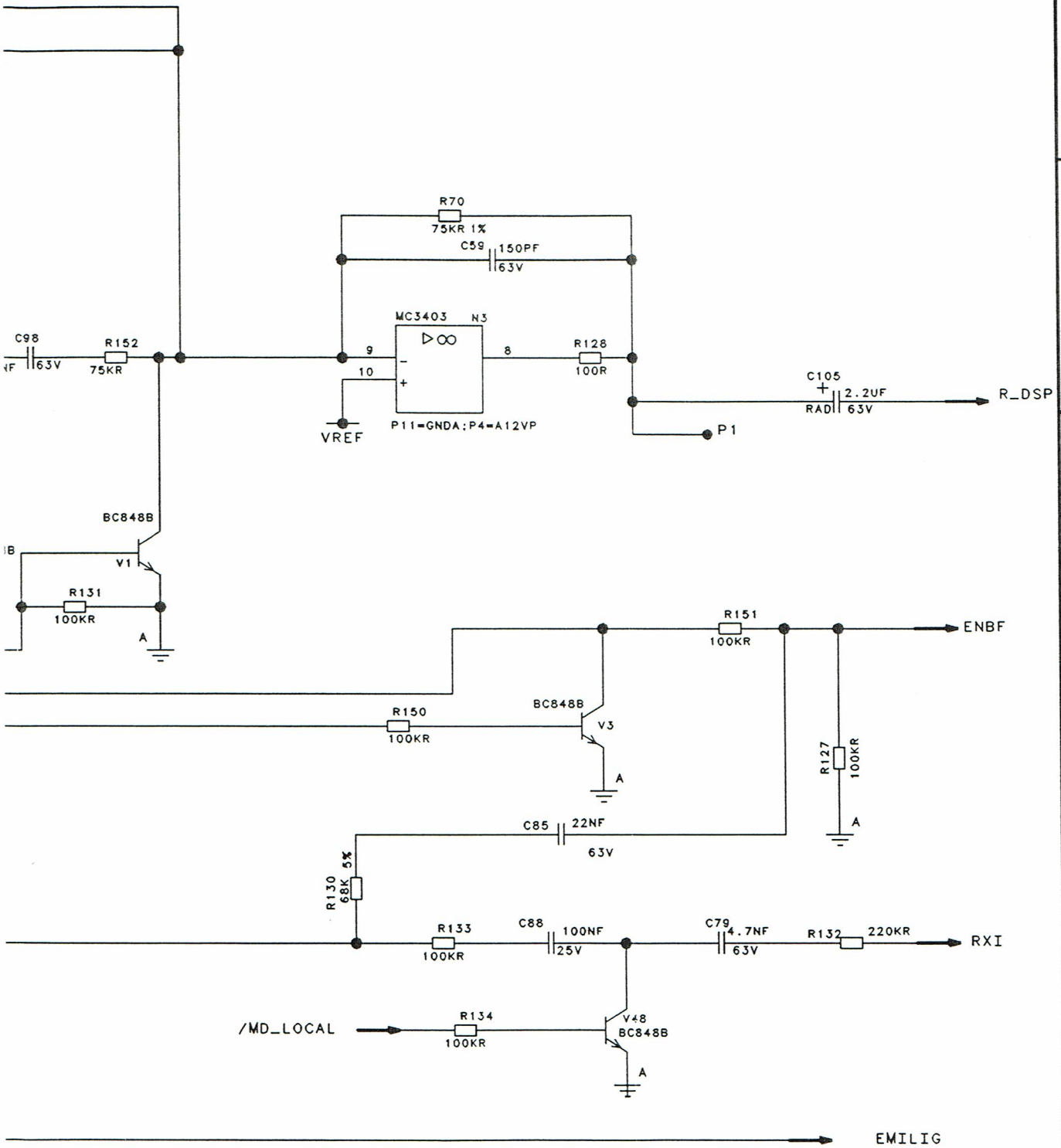


ED	DATE	02	30/05/97	?	?	?	?
CHANGE NOTE				?		?	
APPRO. AUTHO.	J. C. SONNEFRAUD			?		?	
ORIGINATOR	P. BOSCH			?		?	
FDP SILLAGE TVR-2000						MAIN-LIBRE	
						3BN 63110 AAAB ECZZA	
						6/9	

All rights reserved. Passing on and copying of this document, use and communication of its contents not permitted without written authorization.

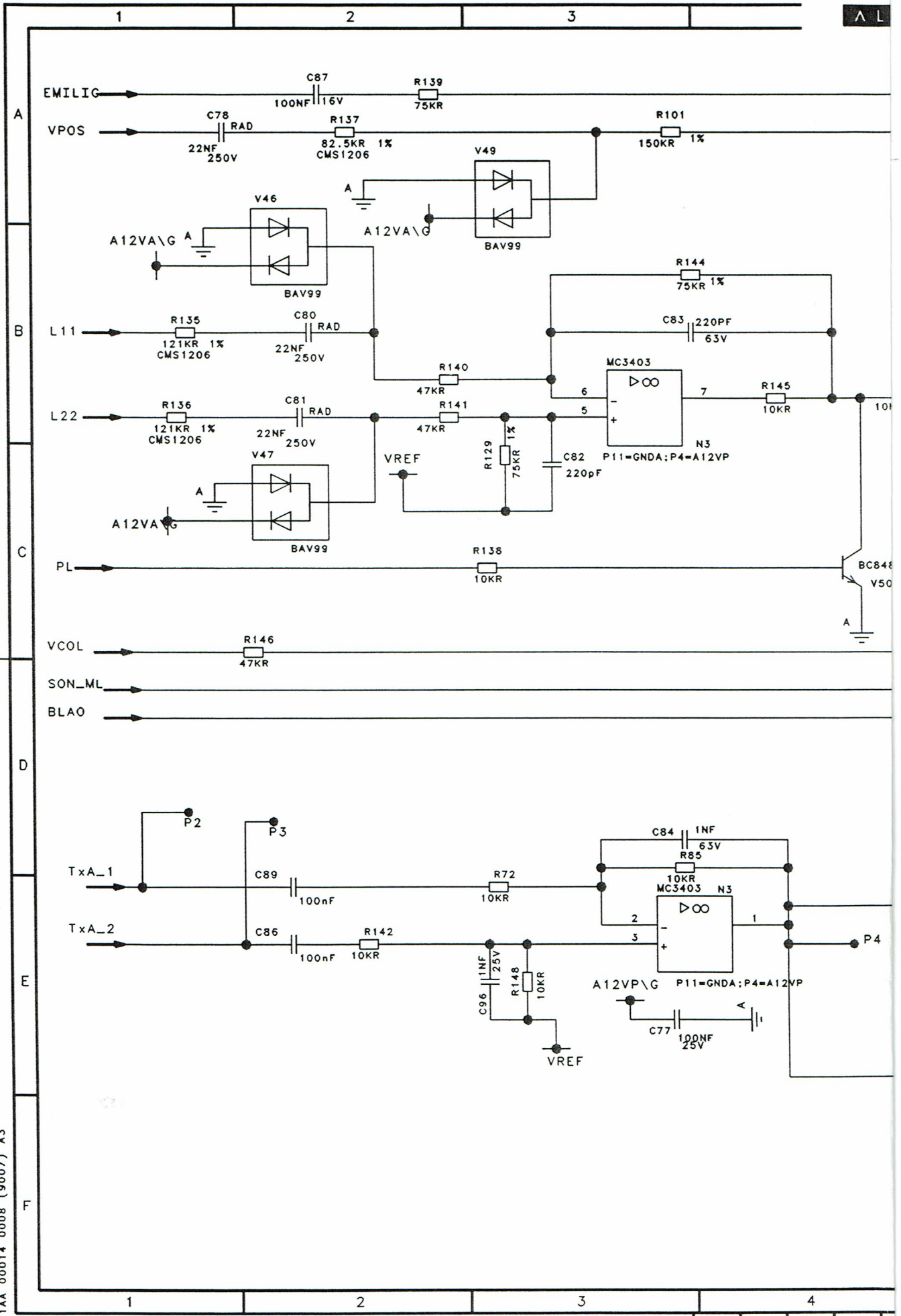


1AA 00014 0008 (9007) A3

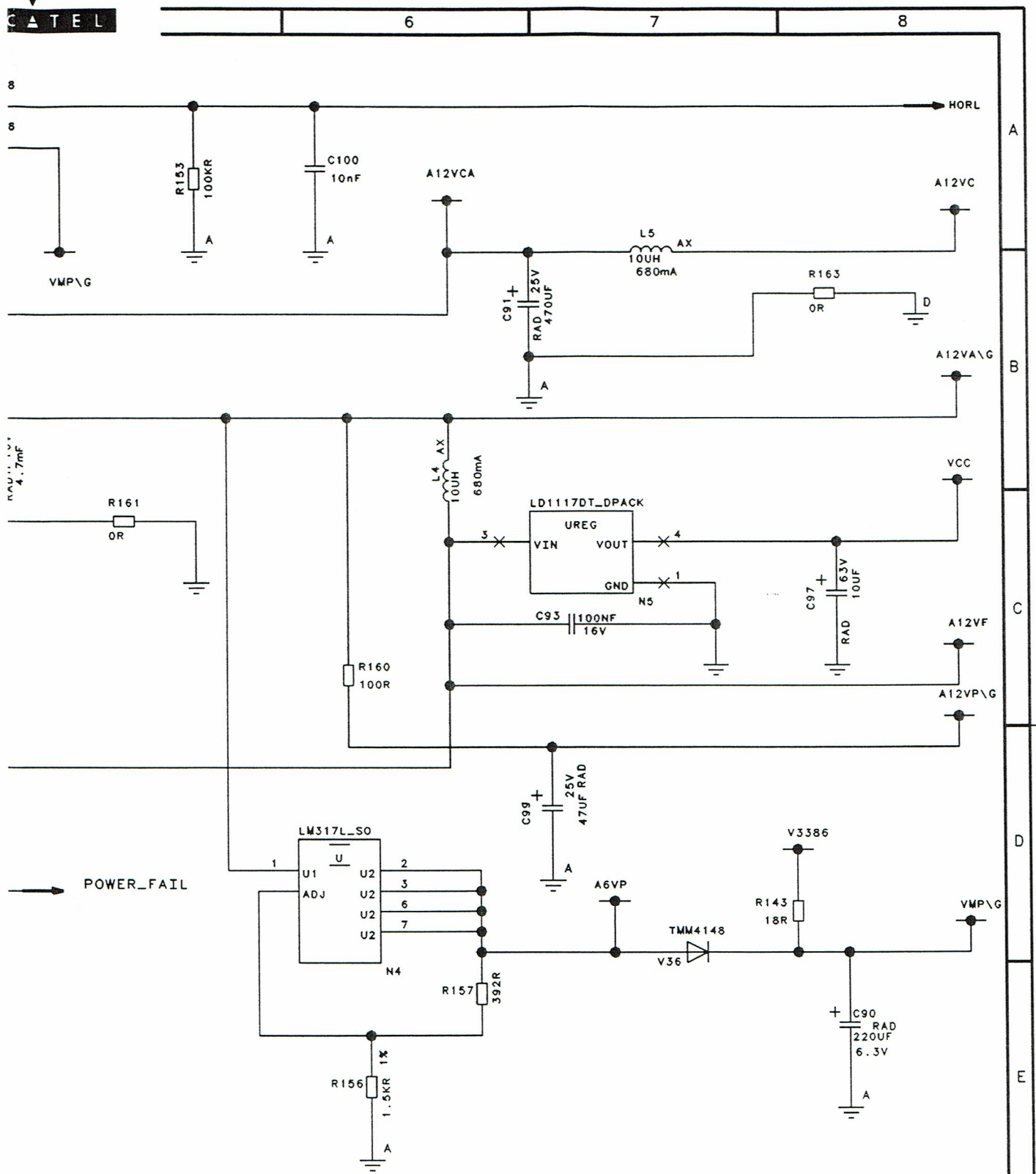


ED	DATE	02	30/05/97	?	?	?	?
CHANGE NOTE				?			
APPRO. AUTHO.		J. C. SONNEFRAUD		?			
ORIGINATOR		P. BOSCH		?			
FDP SILLAGE TVR-2000				AMPLI IDENT. APPELANT			
				3BN 63110 AAAB ECZZA			7/9

All rights reserved. Passing on and copying of this document, use and communication of its contents not permitted without written authorization.

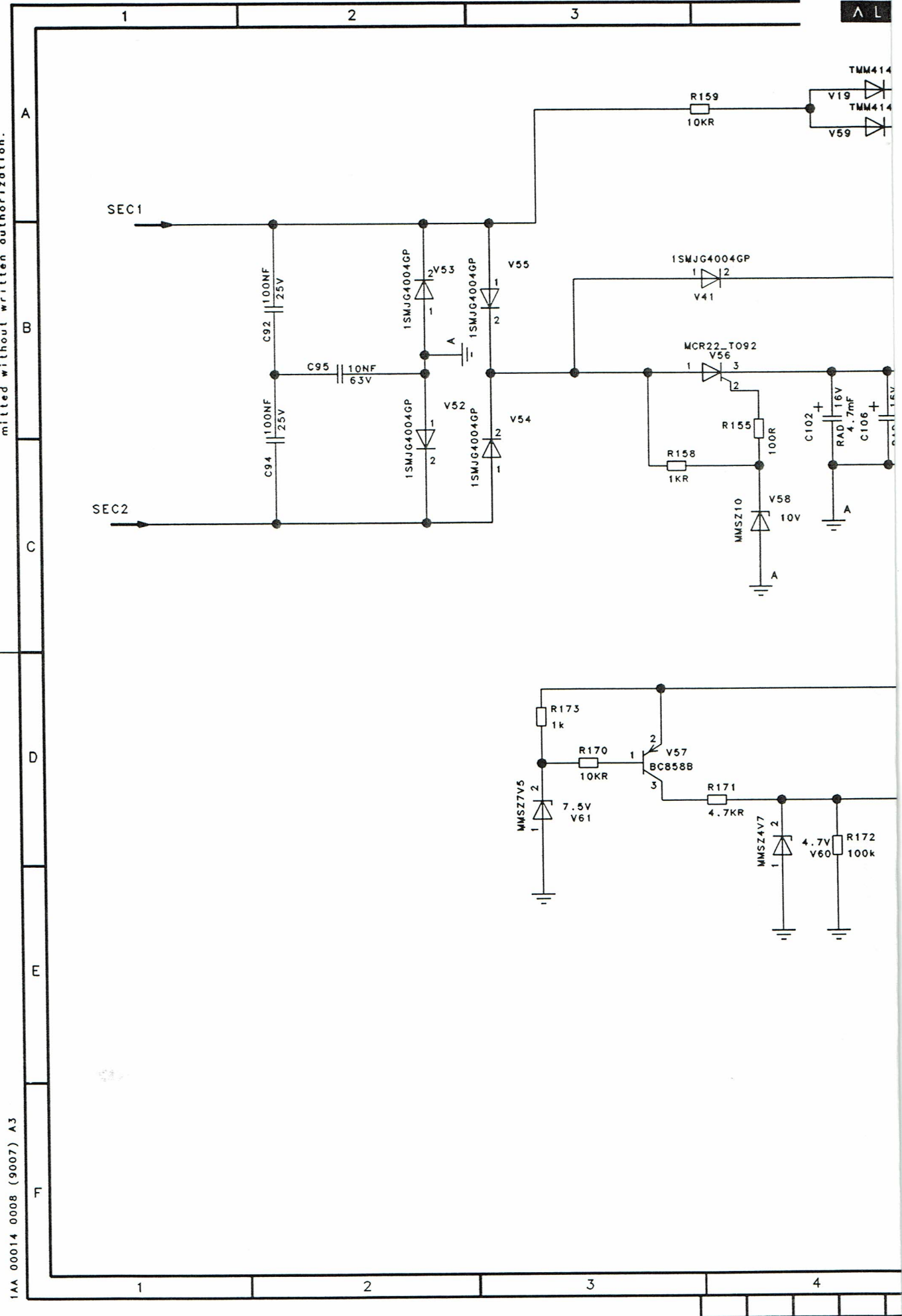


1AA 00014 0008 (9007) A3

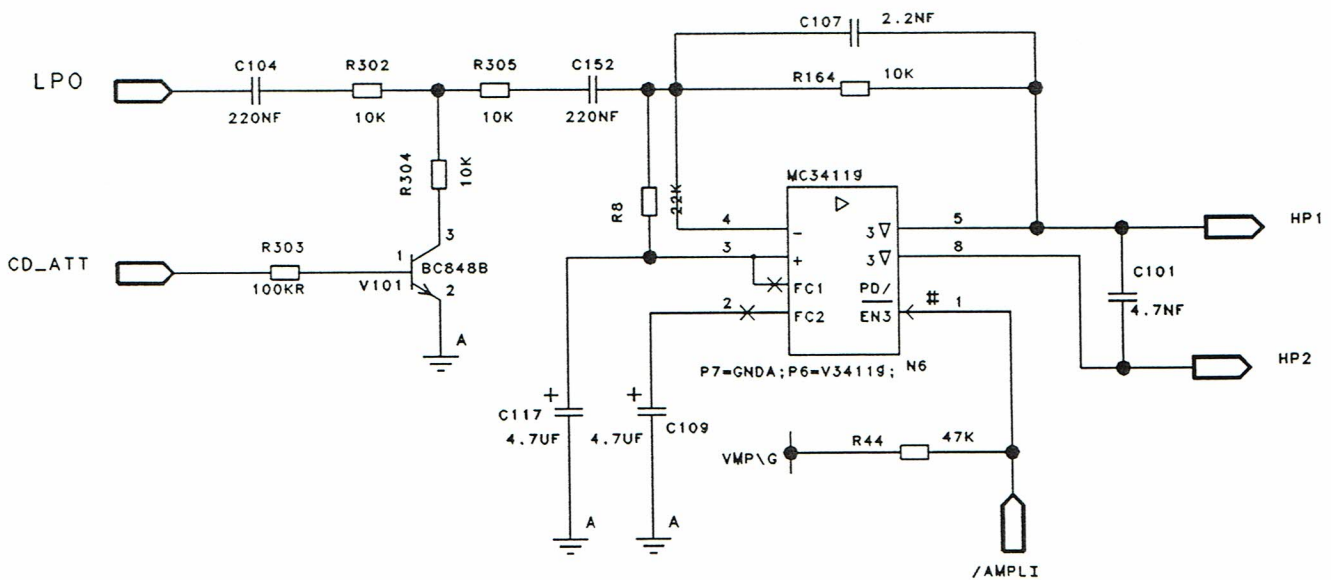
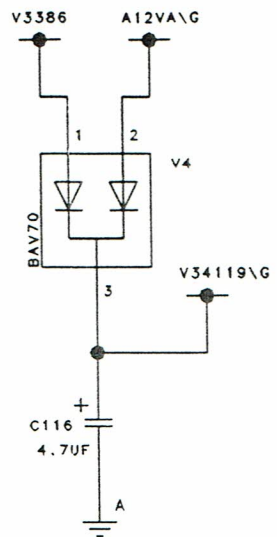
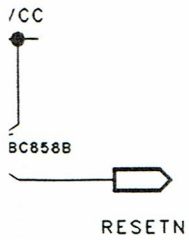


ED	DATE	02	30/05/97	?	?	?	?
CHANGE NOTE							
APPRO. AUTHO.	J.C. SONNEFRAUD						
ORIGINATOR	P. BOSCH						
FDP SILLAGE TVR-2000			ALIM SECTEUR				
			3BN 63110 AAAB ECZZA				8/9

All rights reserved. Passing on and copying of this document, use and communication of its contents not permitted without written authorization.

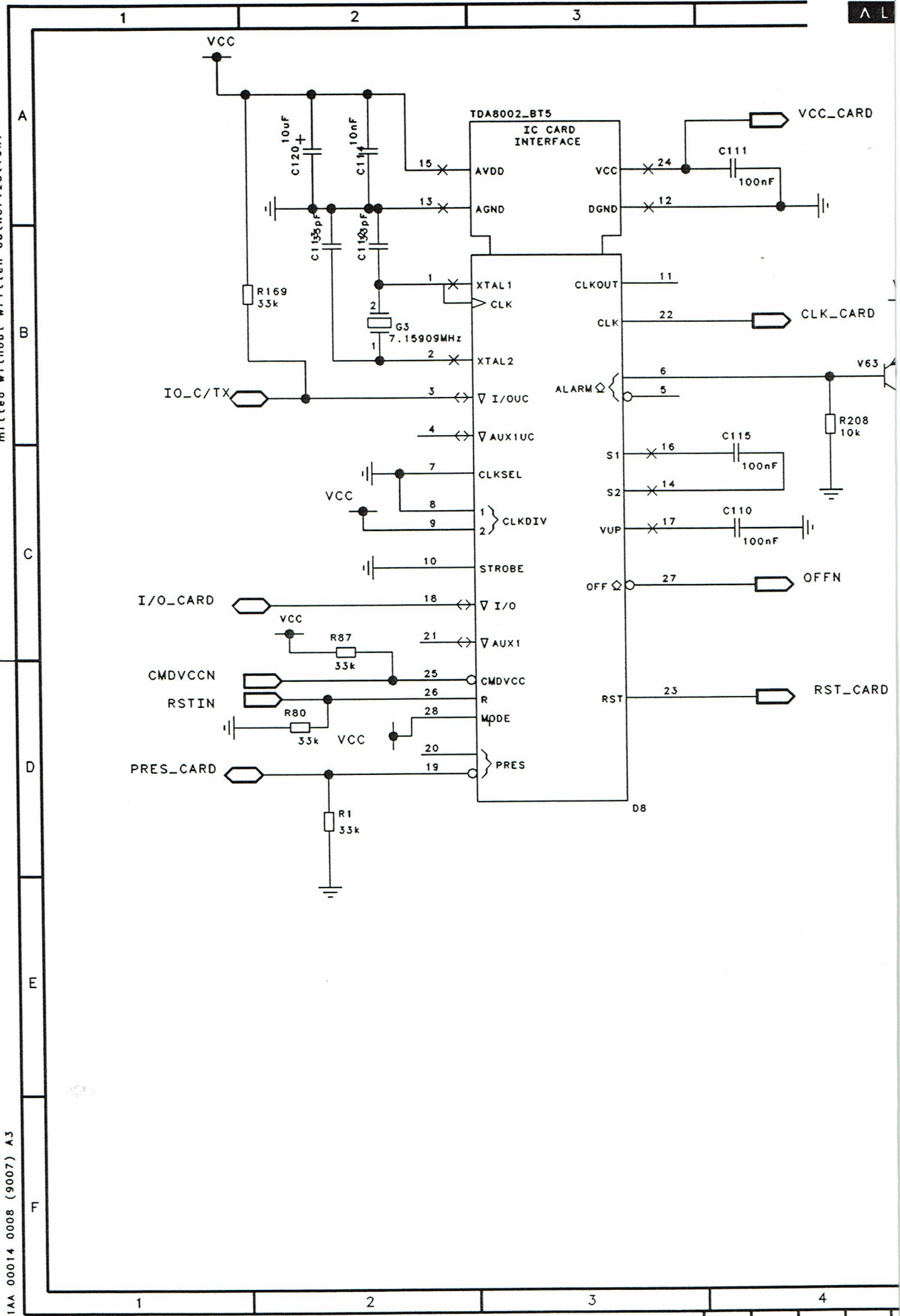


1AA 00014 0008 (9007) A3



ED	DATE	02	30/05/97	?	?	?	?
CHANGE NOTE				?		?	
APPRO. AUTHO.		J.C. SONNEFRAUD		?		?	
ORIGINATOR		P.BOSCH		?		?	
FDP			SILLAGE TVR-2000		LECAM + AMPLI HP		
					3BN 63110 AAAB ECZZA		9/9

All rights reserved. Passing on and copying of this document, use and communication of its contents not permitted without written authorization.



1AA 00014 0008 (9007) A3